

CORAL-2 SPEC SHEET

CRL-2



The Coral Series is a recessed LED downlight featuring an anti-glare optical diffuser for enhanced visual comfort. With an IP65 rating, it offers protection against rain and humidity, making it ideal for various environments. Designed for efficiency and high-quality lighting, this series incorporates advanced heat conduction technology with a durable aluminum body and heat-resistant optics, ensuring long-lasting performance.



SPECIFICATION

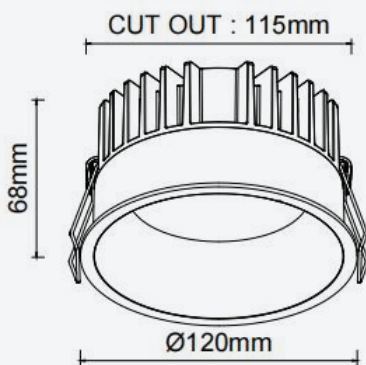
RATED POWER	20W
LED SOURCE	Bridgelux
LED TYPE	COB
INPUT VOLTAGE	220-240V 50/60Hz
OUTPUT VOLTAGE	500mA 36V DC
COLOR TEMP	2700K, 3000K, 4000K
CRI	90
EFFICACY	80 lm/W
BEAM ANGLE	15°, 24°, 36°, 60°, Diffused lens
DIMENSIONS	Ø120 x 68 mm
CUT OUT	Ø115 x 78 mm
CONTROL	Switched (on/off), 0-10V, TRIAC, DALI
LAMP LIFE	50,000 hrs
MATERIAL	Die-cast Aluminum
BODY FINISH	White, black
UGR	<16
IP RATING	IP65
CLASS	Class II
OPERATING TEMP	-20° to +40°
CERTIFICATIONS	CE, ROHS, CCC

Bridgelux COB
LED Source

220-240V 50/60Hz
Electrical Operation

20W
Rated power

DIMENSIONS



ORDERING CODE

PRODUCT SERIES	MODEL	POWER	COLOR TEMPERATURE	VOLTAGE	BEAM ANGLE	BODY FINISH
CRL - Coral	2 - Model 2	20W - 20 Watts	CT27 - 2700K CT30 - 3000K CT40 - 4000K	AC - 220-240V AC	15D - 15 Degree 24D - 24 Degree 36D - 36 Degree 60D - 60 Degree DL - Diffused Lens	WH - White BK - Black

Sample: CRL-2-20W-CT30-AC-15D-WH