

LFX NEON SERIES 17 SPEC SHEET



LFX-N-17 - TUNABLE WHITE-24V




YYZ LFX Neon series is designed to provide a very bright, crisp consistent and homogenized illumination that will accentuate any building, structure, or artistic flourish. Using high brightness surface mounted LEDs, behind a first-class eco-friendly UV-resistant Silicone polymer encapsulated flexible chamber material, the LFX Neon will provide your project with bright, consistent traces of light in shades of White, single colors. The fixture consists of uniform and even lighting with no Led hotspot. LFX Neon has a transverse minimum radius of 75mm and is horizontal bendable. Easy to install, can be cut and reconnected with IP68 protected connector. The product is supplied in 5m standard rolls or custom as needed.



SPECIFICATION

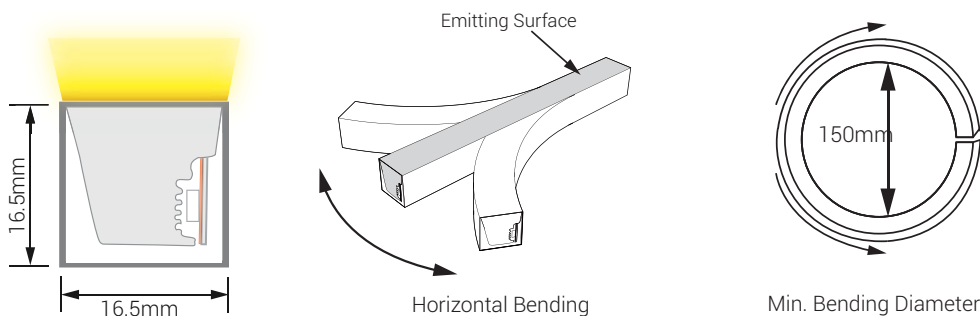
OPERATING VOLTAGE	24V DC
POWER	12W / m
LED COUNT	120LEDs/m
CUTTING UNIT	12 LEDs
CUTTING LENGTH	100 mm
MIN. BEND DIA.	150mm
LED SOURCE	SMD LED 2835
CCT	2200K + 5700K, 2700K + 5700K, 3000K + 5700K
CRI	80, 90
MAX. RUN LENGTH	32.80ft / 10 m(Single Feed), 65.61 ft / 20 m (Double Feed)
BEAM ANGLE	120°
LAMP LIFE	70, 000 hours L70@25°C, 50, 000 hours L70@50°C
MATERIAL	Silicone
OPERATING TEMP	-40°C to +55°C
IP RATING	IP68
IK RATING	IK08
WARRANTY	5 years

-  **SMD LED 2835**
LED Quality
-  **24V DC**
Working Voltage
-  **12W/m**
Rated power

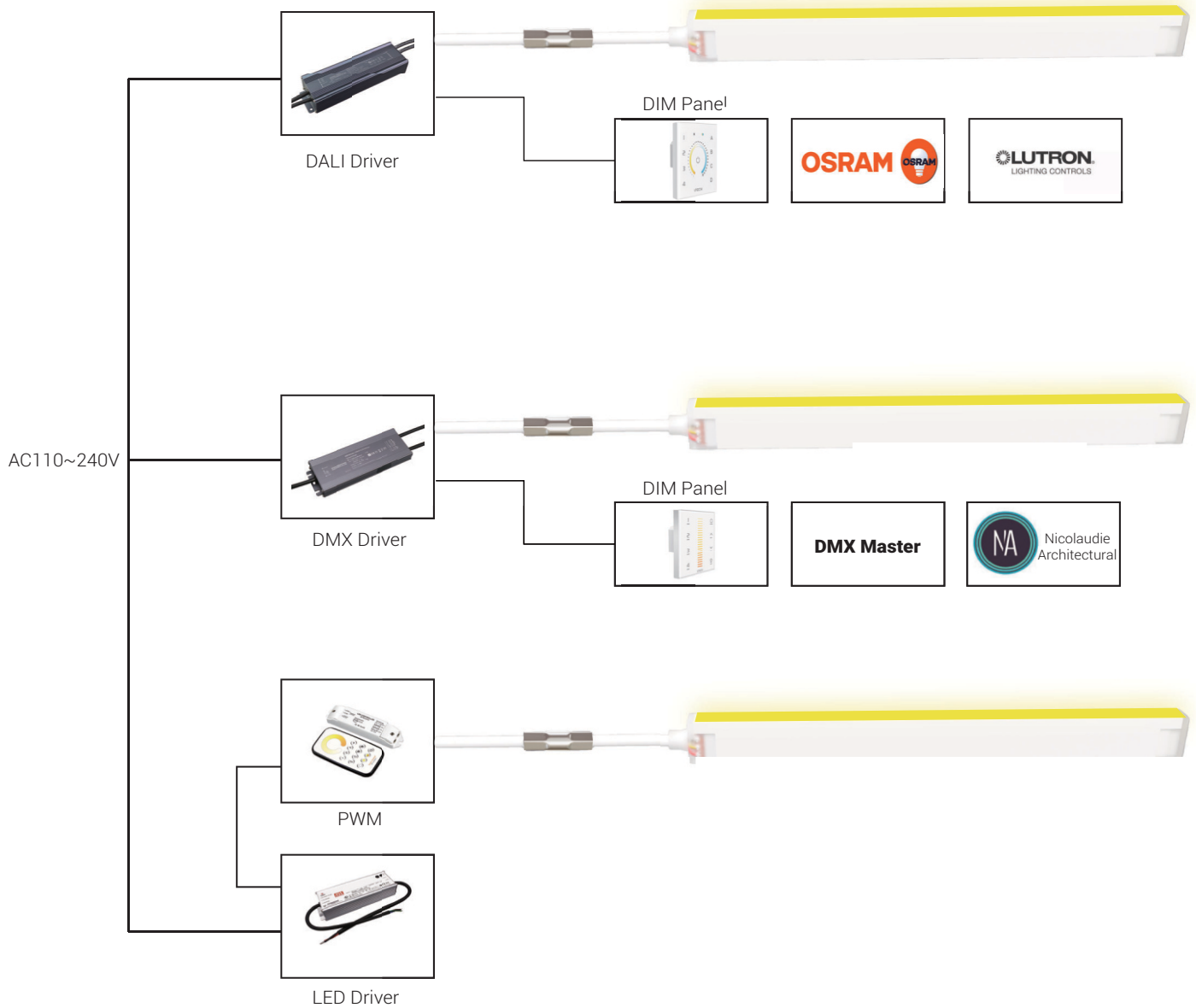
DELIVERED LUMENS BY CCT

Color	lm / m
2200K + 5700K	360lm/m + 400lm/m
2700K + 5700K	330lm/m + 300lm/m
3000K + 5700K	320lm/m + 360lm/m

DIMENSION



CONNECTION DIAGRAM



LFX NEON SERIES 17 SPEC SHEET



LFX-N-17 - TUNABLE WHITE-24V

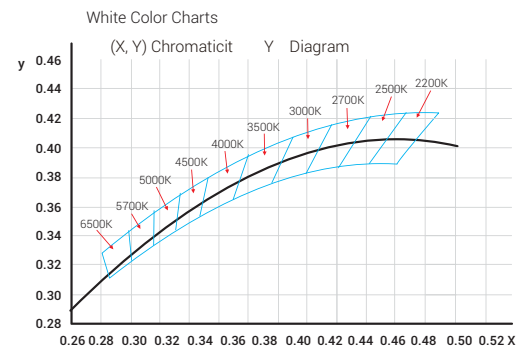
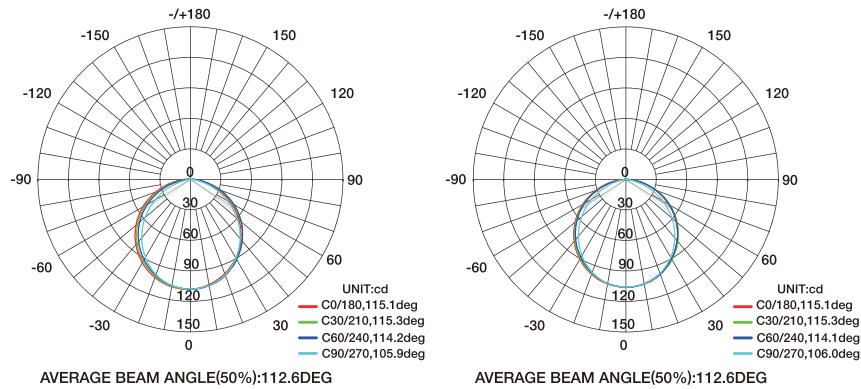
ORDERING CODE

PRODUCT	TYPE	MODEL	BENDING	POWER	VOLTAGE	CRI	COLOR	CONTROL
LFX	N - Neon	17 - 17	HB - Horizontal Bending	12 - 12W	DC - 24V DC	80 - 80 CRI 90 - 90 CRI	CT 22+57 - 2200K + 5700K CT 27+57 - 2700K + 5700K CT 30+57 - 3000K + 5700K	SW - Switch DALI - DALI DMX - DMX DIM - 0/1-10V TRI - TRIAC

Sample: LFX-N-17-HB-12-DC-80-CT22+57-SW

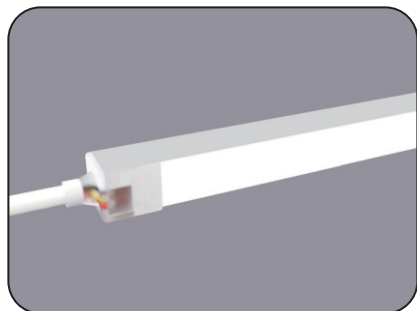
PHOTOMETRIC DATA

Illuminance Distribution

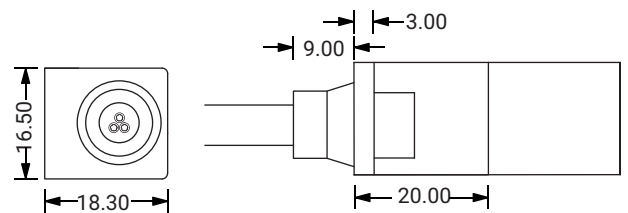


ACCESSORIES

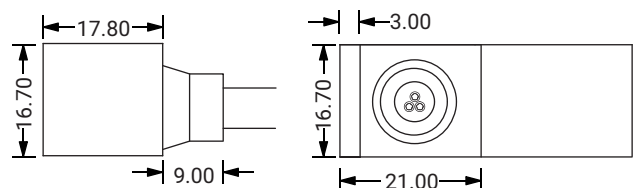
MOLD INJECTION CONNECTOR (IP68 Factory Assembly Only)



Direct Entry Connector
MJ-LFX17-DW-D01/02/03
MJ-LFX17-DW-D01SM
MJ-LFX17-DW-D02SF
MJ-LFX17-DW-D03SFM



Side Entry Connector
MJ-LFX17-DW-S01/02/03
MJ-LFX17-DW-S01SM
MJ-LFX17-DW-S02SF
MJ-LFX17-DW-S03SFM

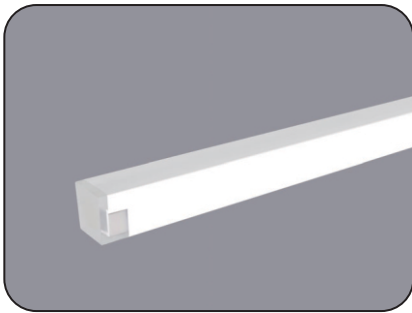
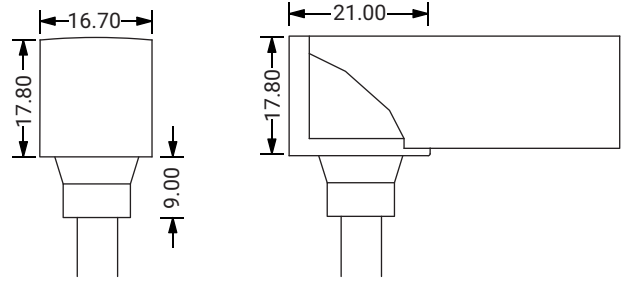


LFX NEON SERIES 17 SPEC SHEET

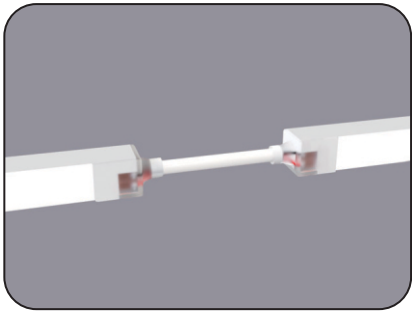
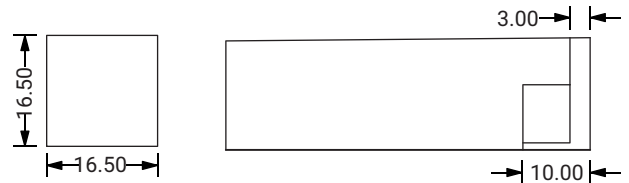
LFX-N-17 - TUNABLE WHITE-24V



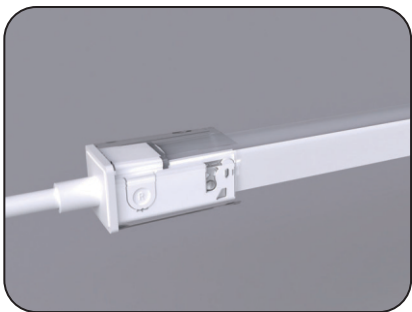
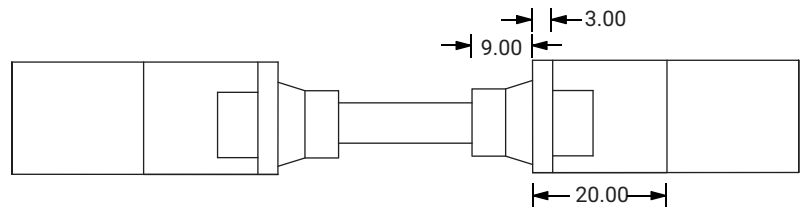
Bottom Entry Connector
MJ-LFX17-DW-B01/02/03
MJ-LFX17-DW-B01SM
MJ-LFX17-DW-B02SF
MJ-LFX17-DW-B03SFM



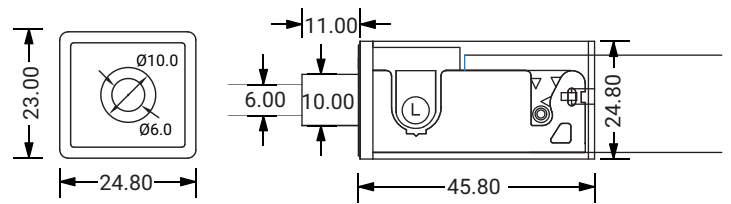
End Cap



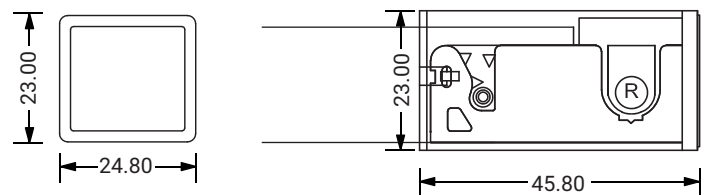
Jumper
MJ-LFX17-D3-D-JC



DIY Snap Connector
DIY-SN-FR-17-D-01/02-D3

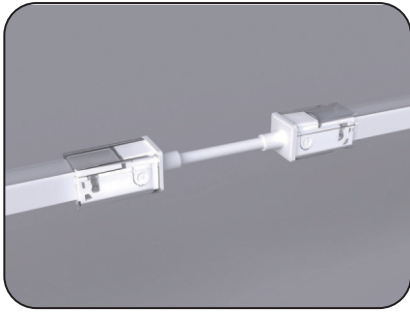


DIY Snap End Cap
DIY-SN-END-17-D-01/02

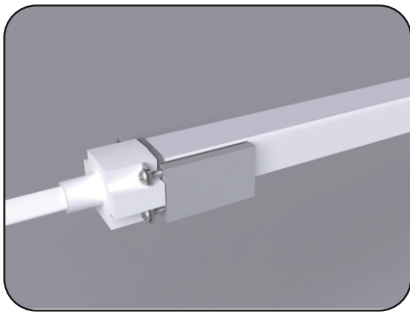
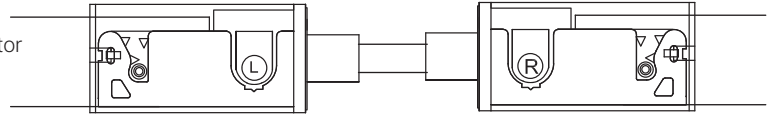


LFX NEON SERIES 17 SPEC SHEET

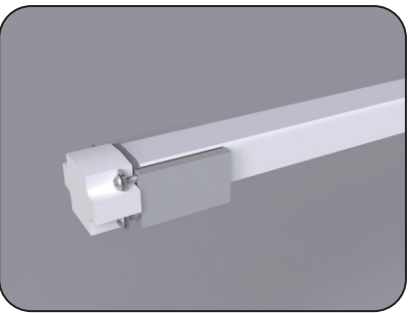
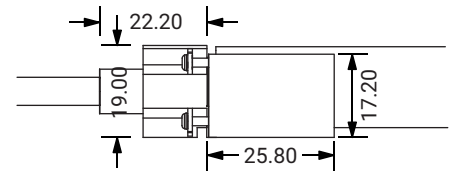
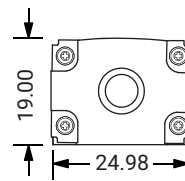
LFX-N-17 - TUNABLE WHITE-24V



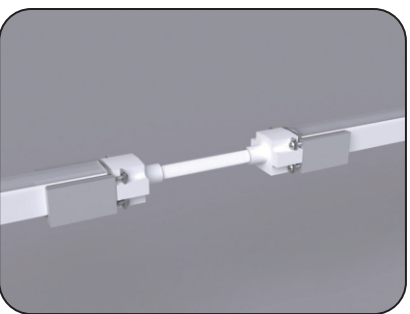
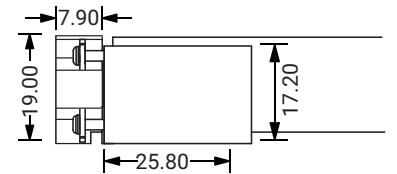
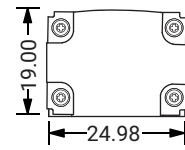
DIY Snap Extent Connector
DIY-SN-EXT-17-D3



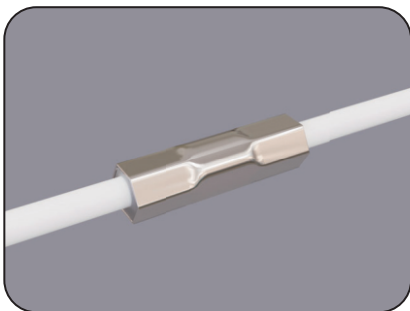
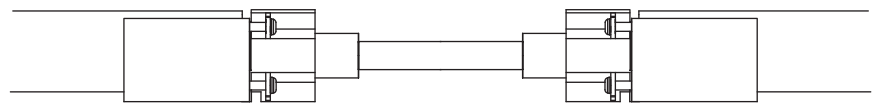
DIY Screw Connector
DIY-SC-FR-17-D-01/02-DW



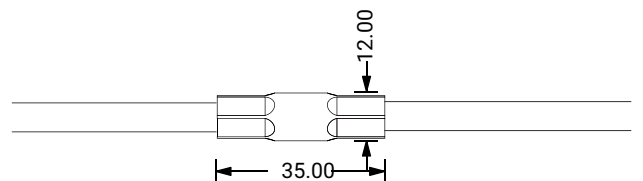
DIY Screw End Cap
DIY-SC-END-16



DIY Screw Extent Connector
DIY-SC-EXT-17-Dw

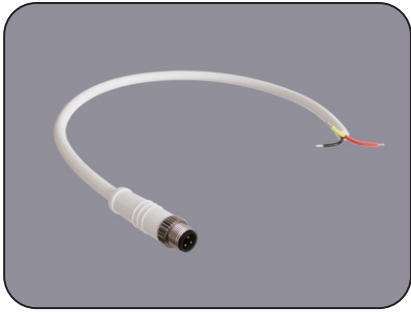


Waterproof Interrupter

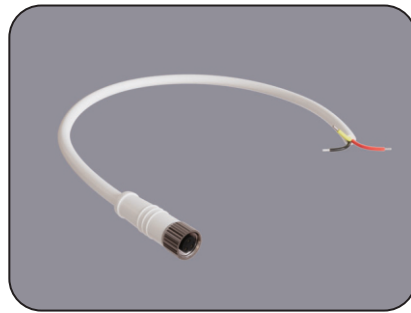
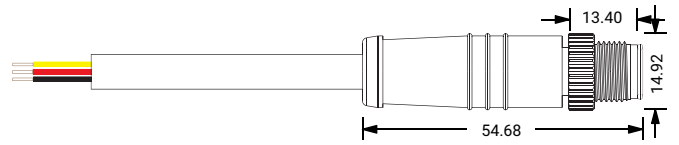


LFX NEON SERIES 17 SPEC SHEET

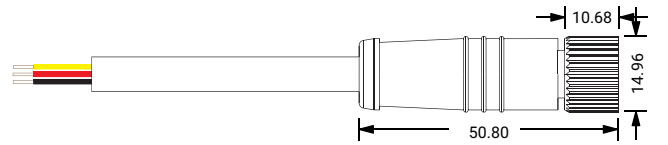
LFX-N-17 - TUNABLE WHITE-24V



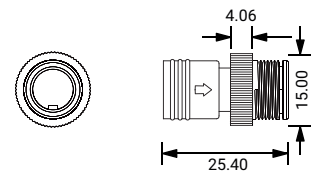
Male Connector
M12-M-3C-20AWG-D6-W-0327-S



Female Connector
M12-F-3C-20AWG-D6-W-0327-S



Male Connector End Cap
SYZ-EC-M12-M



Female Connector End Cap
SYZ-EC-M12-F-3C

