

# VERTEX 22 MONO SPEC SHEET



VTX-22



YYZ Vertex series is a new surface mounted frameless slim shape weatherproof luminaire in soft and high LED or mono version specially designed for facade and in unique structure design shape. This series are designed to offer functional, a wide range of lighting solutions and dramatic highlighting of the architectural facades of different buildings, malls through the linear curved design with superior finishing as well highest efficiency with a long service life.



## FEATURES

FINISH	6063 High density extruded aluminum
WORKING VOLTAGE	24VDC, 48VDC
RATED POWER	12W
BEAM ANGLE	120°
AVAILABLE LENGTH	300mm, 500mm, 1000mm
MOUNTING	Surface mounting
OPTIC	Square Acrylic Diffuser
DIMENSIONS	1000(L) x 22(W) x 47.6mm(H)
OPERATION TEMP	-10° C - +50° C
STORAGE TEMP	-30° C - +60° C
LAMP LIFE	50,000 hrs
BODY COLOR	Black, Grey, White
CONTROL	On/Off

CREE / NICHIA / EPISTAR / OSRAM  
LED Quality

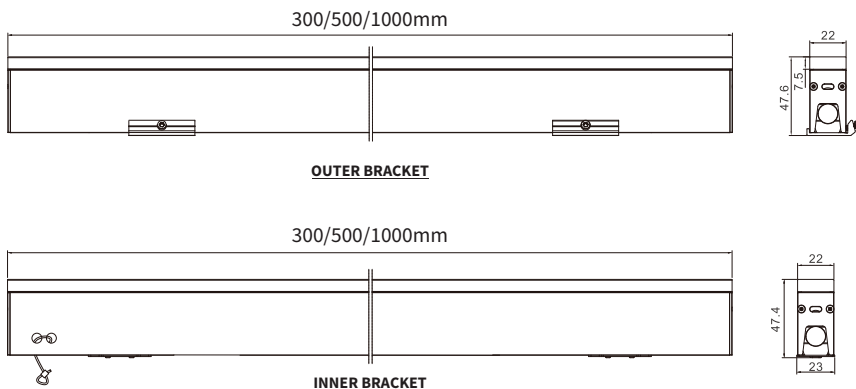
24VDC, 48VDC  
Working Voltage

12W  
Rated power

## ELECTRICAL DATA

SUPPLY VOLTAGE	120-277 VAC 50/60Hz
COLORS	2700K, 3000K, 4000K, 5000K, 5700K
CRI	80
LUMEN	29~32lm/W (24V), 26~29lm/W (48V)

## DIMENSION



## ORDERING LOGIC

PRODUCT	POWER	OPTIC	COLOR TEMPERATURE	VOLTAGE	FIXTURE LENGTH	CONTROL	BODY COLOR	BRACKET TYPE
VTX-22	12 - 12W	120 - 120°	(CT27)	2700K	24 - 24V DC	30 - 300mm 50 - 500mm 100 - 1000mm	BK - Black GR - Grey WH - White	OB - Outer Bracket
			(CT30)	3000K	48 - 48V DC			IB - Inner Bracket
			(CT40)	4000K				
			(CT50)	5000K				
			(CT57)	5700K				

Sample: VTX-22-12-120-CT27-24-30-SW-BK-RB