

# MARKER MINI 38 SPEC SHEET

MM-38



**IP67**  
WATER  
PROOF

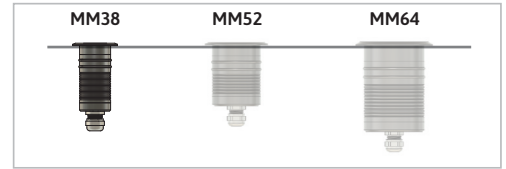


**1 W (CV)**  
**1 W (CC)**

Mini Marker lights the way with high CRI, even in the most harsh conditions. Manufactured with 316L stainless steel and a borosilicate glass lens, this in-ground/in-wall luminaire is immune to corrosion caused by salt, oxidization, and traffic. With several beam options and CCT's to choose from, it is easy to find the right coverage for ambiance and safety.

## FEATURES

<b>OPERATING VOLTAGE</b>	24 VDC CV / 450 mA CC
<b>OPERATING TEMPERATURE</b>	-20°C to +50°C
<b>RATED POWER</b>	1W (CV) / 1W (CC)
<b>CRI</b>	>90
<b>NO OF LEDS</b>	1
<b>LIGHT SOURCE</b>	Samsung
<b>CONTROL</b>	Switched, 1-10V, DALI
<b>OPTICS</b>	Lens
<b>BINNING</b>	3-step
<b>COLOR RANGE</b>	2200K, 2700K, 3000K, 3500K, 4000K, 5000K
<b>MATERIAL</b>	316L Stainless Steel (top cover) / Aluminum (main body)
<b>FINISH</b>	Silver (top) and black (body) (Std.)
<b>PROJECTION</b>	13°, 18°, 30°, 45°
<b>MOUNTING</b>	In-floor, In-ground
<b>CONNECTION</b>	Outdoor Rated Connections
<b>LAMP LIFE</b>	50,000 hrs
<b>DIMENSIONS</b>	Dia. 38 x 74 mm



**1 LED**  
LED Quantity

**E 24 VDC (CV) / 450 mA (CC)**  
Electrical Operation

**W 1W (CV) / 1W (CC)**  
Rated power

## LUMEN DATA AT 2700K

Data	Narrow	Medium Narrow	Medium	Wide
Beam Angle	13 Degree	18 Degree	30 Degree	45 Degree
Lumens	77 lm	69 lm	68 lm	66 lm

### Application

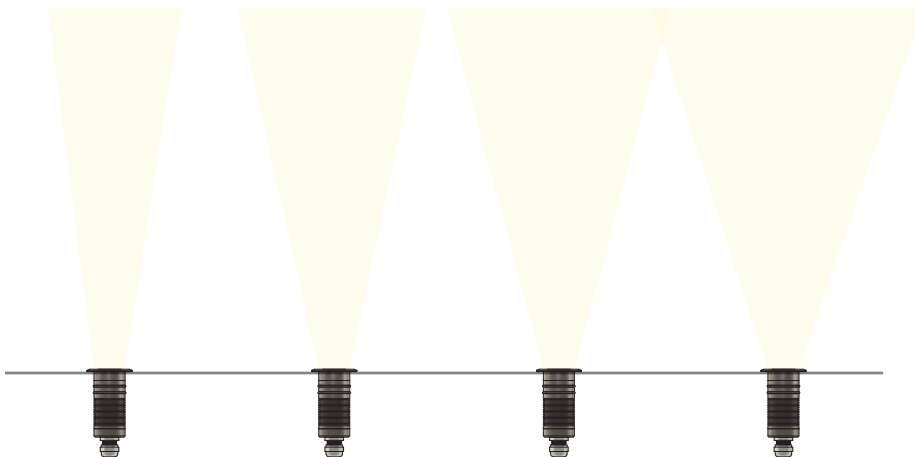


Narrow

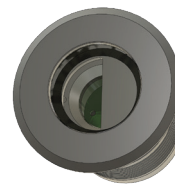
Narrow-Medium

Medium

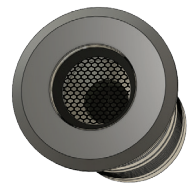
Wide



**Eye Lid (Optional)**



**Honeycomb Louver (Optional)**



# MARKER MINI 38 SPEC SHEET

MM-38



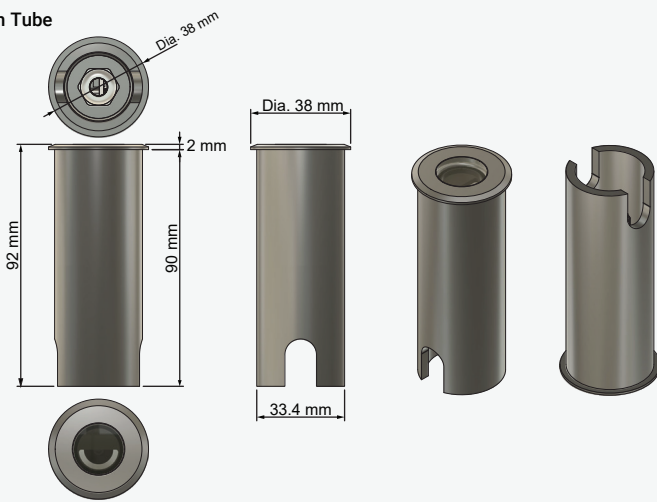
## ORDERING CODE

SERIES	TYPE	POWER	DRIVER	CRI	COLOR TEMPERATURE	PROJECTION	CONTROL	FINISH		ACCESSORIES
MKR-MI	38	1W - 1 WATTS (CV)	CV - Constant Voltage (1W)	90 - CRI90	CT22 - 2200K	13D-13 Degrees	SW - Switched	BODY FINISH BL - Black	TOP FINISH SS - Stainless Steel XX - Custom	EL - Eye Lid
		1W - 1 WATTS (CC)	CC - Constant Current (1W)		CT27 - 2700K	18D-18 Degrees	AN - 1-10V			
					CT30 - 3000K	30D-30 Degrees	DA - DALI			
					CT35 - 3500K	45D-45 Degrees				
					CT40 - 4000K					
					CT50 - 5000K					

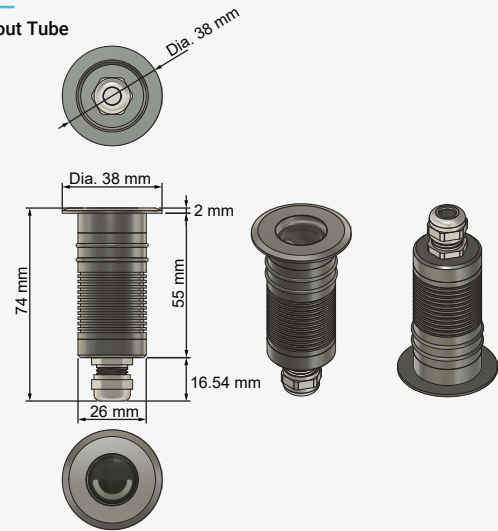
Sample: MKR-MI- 38 - 1W- CV - 90 - CT30 - 30D - SW - BL - XX - EL

## DIMENSIONS

With Tube

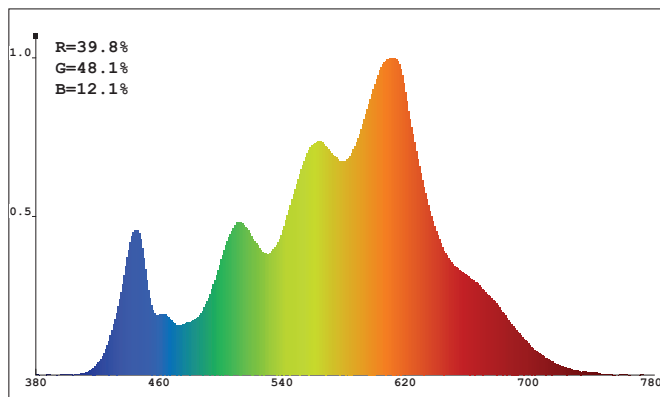


Without Tube

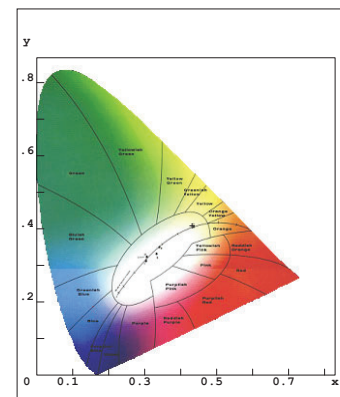


## PHOTOMETRIC DATA

Spectral Distribution



CIE 1931 Color Space



## RELATED PRODUCTS

Marker Mini 64



Marker Mini 52

