

# PINHOLE DOWNLIGHT

## PHD TLS (Trimless)

**Mono** IP65 CE

The Pinhole Downlight Series is a minuscule pinhole downlight designed with an extremely small light aperture of only 19mm yet maintains a high light output ratio. Deeply embedded in its optical core is a unique double-focus lens designed for a virtually glare-free solution, meeting a Unified Glare Rating (UGR) of <19 and providing maximum visual comfort. It seamlessly integrates into your ceiling, offering discreet yet powerful illumination. A robust mechanical design ensures longevity with a die-cast aluminum heat sink that draws heat away from the LED chip. High-level mechanical protection provides IP65-level dust and water ingress protection. This sleek luminaire combines minimalist aesthetics with performance and is available in beam angles of 35° and 50°, as well as both trimless and trim versions, making it suitable for accent lighting in retail stores, hotels, reception areas, architectural spaces, and prestige areas.



### FEATURES

MATERIAL	Aluminum
FINISH	White, Black
RATED POWER	2W, 4W, 6W
WORKING VOLTAGE	220-240V AC
INPUT CURRENT & VOLTAGE	100mA 18V (2W), 100mA 36V (4W), 150mA 36V (6W)
RADIANCE ANGLE	15°, 24°, 36°, 50°
MOUNTING	Ceiling recessed
CONNECTION	Outdoor rated connections
LAMP LIFE	50,000 hrs
DIMENSION	Ø32 x 83mm (Cutout Ø40, 45mm)
OPERATING TEMP	-20°C - +50°C
CONTROL	On/Off, Dali

BRIDGELUX V4HD  
LED Quality

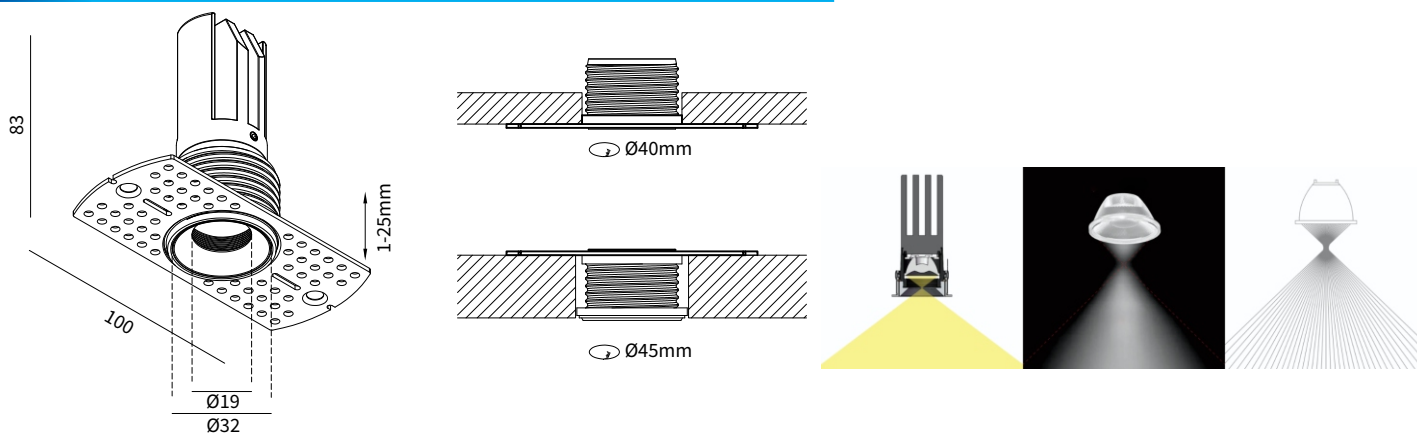
150mA 18V/150mA 36V/150mA 36V  
Working Current

2W/4W/6W  
Rated power

### ELECTRICAL DATA

COLORS	2700K, 3000K, 4000K
CRI	90
LUMEN	130lm @ 2W, 250lm @ 4W, 380lm @ 6W

### DIMENSIONS



### ORDERING LOGIC

PRODUCT	WATTAGE	COLOR TEMPERATURE	CONTROL	BEAM ANGLE	TRIM FINISH	CONE FINISH
PHD TLS	2 - 2W	(CT27) 2700K	ND - ON/OFF	15 - 15°	WH - White	WH - White
	4 - 4W	(CT30) 3000K	DA - DALI	24 - 24°	BK - Black	BK - Black
	6 - 6W	(CT40) 4000K		36 - 36°		
				50 - 50°		

Sample: PHD TLS - 6 - CT27 - ND - 50 - WH - WH