

PINHOLE DOWNLIGHT

PHD TR (Trim)

Mono IP65 CE

The Pinhole Downlight Series is a minuscule pinhole downlight designed with an extremely small light aperture of only 19mm yet maintains a high light output ratio. Deeply embedded in its optical core is a unique double-focus lens designed for a virtually glare-free solution, meeting a Unified Glare Rating (UGR) of <19 and providing maximum visual comfort. It seamlessly integrates into your ceiling, offering discreet yet powerful illumination. A robust mechanical design ensures longevity with a die-cast aluminum heat sink that draws heat away from the LED chip. High-level mechanical protection provides IP65-level dust and water ingress protection. This sleek luminaire combines minimalist aesthetics with performance and is available in beam angles of 35° and 50°, as well as both trimless and trim versions, making it suitable for accent lighting in retail stores, hotels, reception areas, architectural spaces, and prestige areas.



FEATURES

| | |
|-------------------------|--|
| MATERIAL | Aluminum |
| FINISH | White, Black |
| RATED POWER | 2W, 4W, 6W |
| WORKING VOLTAGE | 220-240V AC |
| INPUT CURRENT & VOLTAGE | 100mA 18V (2W), 100mA 36V (4W), 150mA 36V (6W) |
| RADIANCE ANGLE | 15°, 24°, 36°, 50° |
| MOUNTING | Ceiling recessed |
| CONNECTION | Outdoor rated connections |
| LAMP LIFE | 50,000 hrs |
| DIMENSION | Ø42 x 85mm (Cutout Ø38mm) |
| OPERATING TEMP | -20°C - +50°C |
| CONTROL | On/Off, Dali |

BRIDGELUX V4HD
LED Quality

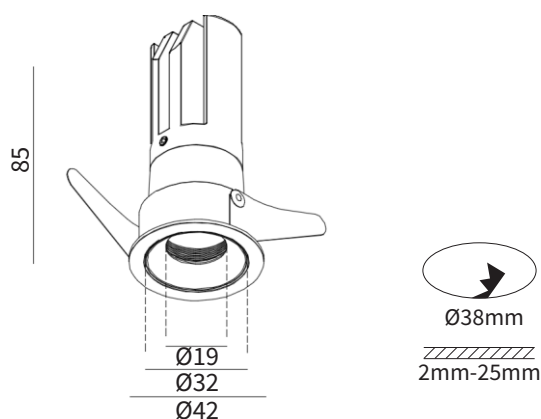
150mA 18V/150mA 36V/150mA 36V
Working Current

2W/4W/6W
Rated power

ELECTRICAL DATA

| | |
|--------|------------------------------------|
| COLORS | 2700K, 3000K, 4000K |
| CRI | 90 |
| LUMEN | 130lm @ 2W, 250lm @ 4W, 380lm @ 6W |

DIMENSIONS



ORDERING LOGIC

| PRODUCT | WATTAGE | COLOR TEMPERATURE | CONTROL | BEAM ANGLE | TRIM FINISH | CONE FINISH |
|---------|---------|-------------------|-------------|------------|-------------|-------------|
| PHD TR | 2 - 2W | (CT27) 2700K | ND - ON/OFF | 15 - 15° | WH - White | WH - White |
| | 4 - 4W | (CT30) 3000K | DA - DALI | 24 - 24° | BK - Black | BK - Black |
| | 6 - 6W | (CT40) 4000K | | 36 - 36° | | |
| | | | | 50 - 50° | | |

Sample: PHD TR - 6 - CT27 - ND - 50 - WH - WH