

OAK ROUND LARGE DC SPEC SHEET



OAK-R-L-DC

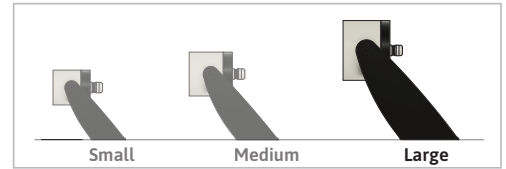


IP66
WATER
PROOF



20 W

Our OAK series LED spotlight fixtures are a simple, yet elegant solution for architectural spot and accent luminaire. Available with three optic configurations (Narrow, Medium & Wide). The luminaire is capable of withstanding extreme outdoor conditions with a chemically sealed glass lens and proprietary moisture barriers.



SPECIFICATION

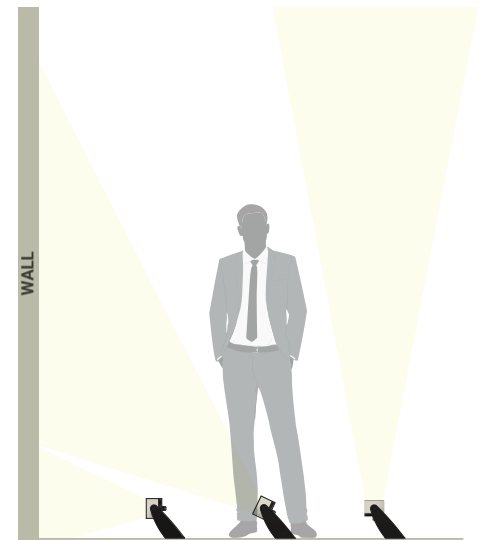
| | |
|------------------------------|---|
| OPERATING VOLTAGE | 100 - 264 VDC |
| OPERATING TEMPERATURE | -20°C to + 50°C |
| CRI | 80 |
| INPUT CURRENT @24 VDC | 850 mA |
| NO OF LED | 1 |
| LED TYPE | COB |
| LIGHT SOURCE | Cree |
| COLOR RANGE | 2200K / 2700K / 3000K / 3500K / 4000K / 5000K |
| PROJECTION | Narrow, Medium, Wide |
| FIXTURE CONNECTION | Pigtail |
| AVAILABLE IP RATING | IP66 |



DELIVERED LUMENS BY CCT

| White | Lumens (20W) |
|-------|--------------|
| 2200K | 1480 lm |
| 2700K | 1710 lm |
| 3000K | 1830 lm |
| 3500K | 1830 lm |
| 4000K | 1790 lm |
| 5000K | 1790 lm |

Application



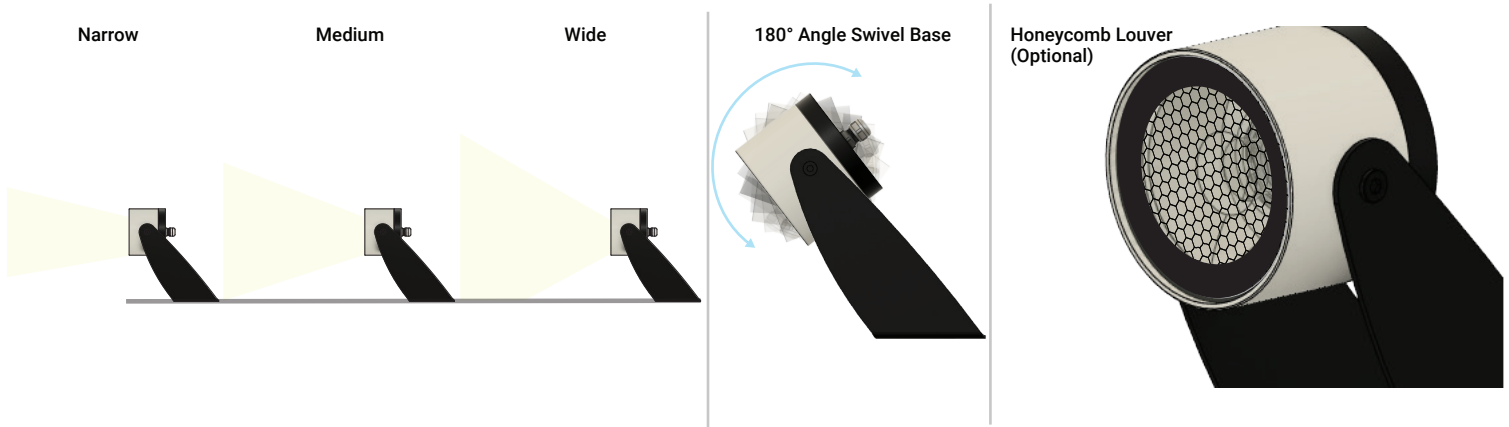
Narrow

Medium

Wide

180° Angle Swivel Base

Honeycomb Louver
(Optional)



OAK ROUND LARGE DC SPEC SHEET

OAK-R-L-DC



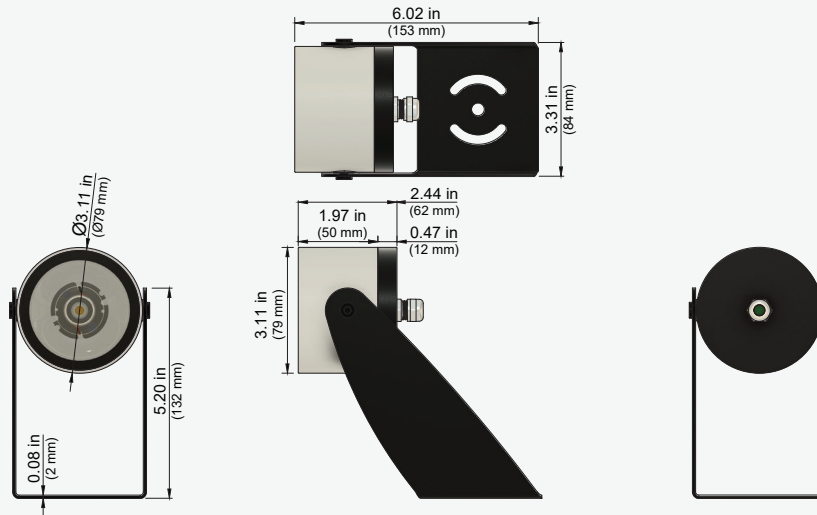
ORDERING CODE

| PRODUCT SERIES | TYPE | SIZE | POWER | COLOR TEMPERATURE | PROJECTION | MOUNTING | VOLTAGE | ACCESSORIES |
|----------------|-----------|-----------|--------------------------------|--|---|--|-----------------|---------------------------|
| OAK | R - ROUND | L - LARGE | 15W - 15WATTS 20W - 20WATTS | CT 22 - 2200K CT 27 - 2700K CT 30 - 3000K CT 35 - 3500K CT 40 - 4000K CT 50 - 5000K | NB - NARROW MB - MEDIUM WB - WIDE | SM - SURFACE MOUNT SP - SPIKE MOUNT | DC - 100-264VDC | N - NONE H - HONEYCOMB |

| FITURE FINISHING | |
|------------------|--------------|
| BODY FINISH | TRIM FINISH |
| BWH - WHITE | TWH - WHITE |
| BBL - BLACK | TBL - BLACK |
| BSL - SILVER | TSL - SILVER |
| BCM - CUSTOM | TGL - GOLD |
| | TCM - CUSTOM |

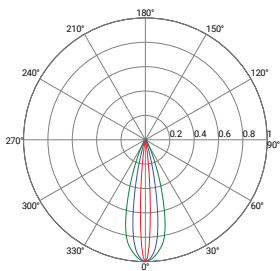
Sample: OAK-R-L-20W-CT22-NB-SM-DC-H-BWH-TBL

DIMENSIONS

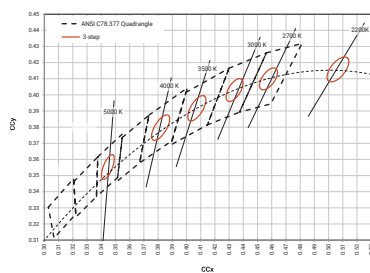


PHOTOMETRIC DATA

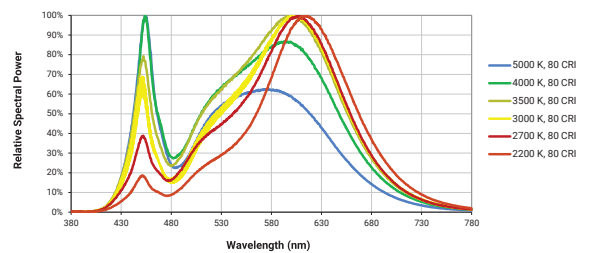
Polar Curve



BIN Details (CIE 1931)



Spectral Radiant Flux VS Wavelength



RELATED PRODUCTS

Spike Mount



OAK - Round Large - AC

