

APOGEE

LINEAR VAPOUR TIGHT



AP-VT



The Apogee is a CCT and Watt selectable linear LED vapour tight that provides maximum light output. Featuring a one piece fire-retardant polycarbonate housing and lens, the Apogee was designed to meet or exceed IES recommended foot-candle levels at installed heights. This ideal utility lighting is suitable for parking garages, and stairwells; where meeting applicable building and safety codes is required.

SPECIFICATION

OPERATING VOLTAGE	120-347VAC (CUNV)
OPERATING TEMPERATURE	-40 to 50° C / -40 to 122°F
RATED POWER	32W / 44W / 50W (Selectable)
CRI	>80RA
LED DRIVER	Becky
LIGHT MANUFACTURER	Hongli SMD2835
LED LIFE	L70: 50,000 hrs
CONTROL	0-10V Dimmable
POWER FACTOR	>0.9
POWER LEAD LENGTH	305 mm (1 ft)
EFFICIENCY	150 lm/W (Clear lens) / 130 lm/W (Frosted lens)
CCT	3000K / 4000K / 5000K (Selectable)
PROJECTION	120°
AVAILABLE IP RATING	IP66
AVAILABLE IK RATING	IK08
AVAILABLE NEMA RATING	NEMA 4X
MOUNTING	Surface (Std.), Suspension



V 120-347 VAC (CUNV)
Operating Voltage

W 32W / 44W / 50W (Selectable)
Rated Power

M Surface (Std.), Suspension
Mounting

CERTIFICATIONS AND WARRANTY

DLC Premium, ETL listed, and CE with 6 year warranty

MOUNTING KIT OPTIONS

CM Surface Mounting Kit (Standard) - 4 ft



CM Surface Mounting Kit (Standard) - 8 ft



Suspension Mounting Kit



ACCESSORIES

Emergency Battery



Output Wattage: 8W
Emergency Time: 90 mins

Microwave Sensor



APOGEE

LINEAR VAPOUR TIGHT



AP-VT

PRODUCT INFORMATION

50W (Selectable)

LED MANUFACTURER	Hongli SMD2835
LED DRIVER	Becky
MOUNTING	Surface (Standard), Suspension
ENCLOSURE	Polycarbonate
FINISH	White Powder coated
RATED POWER	32W / 44W / 50W (Selectable)
FIXTURE LUMEN OUTPUT	4800 / 6600 / 7500 (Clear Lens) / 4160 / 5720 / 6500 (Frosted Lens)
SYSTEM EFFICIENCY	150 l/W (Clear Lens) / 130 l/W (Frosted Lens)



PACKAGING

NEW WEIGHT	29.1 lbs (13.2 kg)
GROSS CARTON WEIGHT	33.29 lbs (15.1 kg)
MASTER CARTON DIMENSIONS	49.21 in x 11.22 in x 12.21 in (1250 mm x 285 mm x 310 mm)

V 120-347 VAC (CUNV)
Operating Voltage

W 32W / 44W / 50W (Selectable)
Rated Power

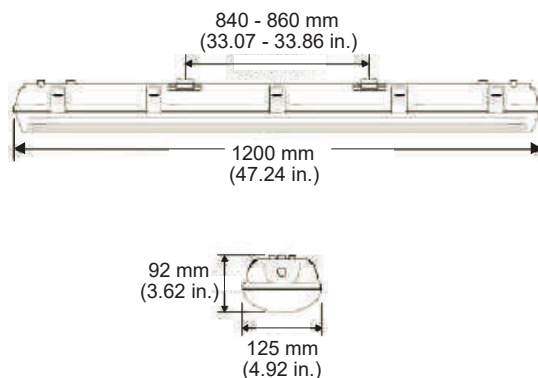
M Surface (Std.), Suspension
Mounting

ORDERING CODE

PRODUCT SERIES	TYPE	SIZE	POWER	COLOR TEMPERATURE	PROJECTION	CRI	CONTROL	MOUNTING	VOLTAGE	FINISH	LENS	ACCESSORIES
AP	VT - VAPOUR TIGHT	4 - 4 ft	32W - 32 Watts 44W - 44 Watts 50W - 50 Watts (Selectable)	CT30 - 3000K CT40 - 4000K CT50 - 5000K (Selectable)	120D - 120°	80	DIM - 0-10V	SM - Surface Mount (Standard) SU - Suspension	CUNV - 120-347V	WH - White	CL - Clear (Standard) FR - Frosted	NA - No Accessories MOS - Microwave Occupancy Sensor EB - Emergency Battery

Sample: AP-VT-4-32W-CT50- 120D-80-DIM-SM-CUNV-WH-CL-NA

DIMENSIONS



PHOTOMETRIC DATA

Height	Beam Diameter	Beam Diameter
3.281ft 1m	63.79, 190.09ft 19.44, 57.94m	8.795ft 2.68m
6.562ft 2m	15.94, 47.48ft 4.86, 14.57m	17.59ft 5.36m
9.843ft 3m	7.589, 21.10ft 2.31, 6.73m	30.39ft 9.26m
13.124ft 4m	3.986, 11.87ft 1.21, 3.71m	35.28ft 10.73m
16.405ft 5m	2.553, 7.758ft 0.78, 2.36m	43.98ft 13.40m

