

SML-15-SPOT LIGHT-15W



YYZ SML series spot light Mono is high brightness and easy installation for Landscape solution. Available in different wattage. IP65, UV-resistant. Aluminum black body finish.

FEATURES

| | |
|-----------------|-------------------------------------|
| LED QUANTITY | 1Nos |
| FINISH | BLACK /GREY |
| WORKING VOLTAGE | 220-240 VAC |
| RATED POWER | 15W |
| RADIANCE ANGLE | 13°/23°/38°/60° |
| LAMP LIFE | 50000 HRS |
| MOUNTING | GROUND / SPIKE / TREE MOUNT BRACKET |
| CONNECTION | OUTDOOR RATED CONNECTIONS |
| DIMENSIONS | Ø75 x 178 x 370 mm |
| OPERATION TEMP | -20° C - +50° C |
| STORAGE TEMP | -20° C - +60° C |
| CABLE | H05RN 1 Mtr PIG TAIL |
| BODY | ALUMINUM 6063 |



1 LED CREE
LED Quality

V 220-240 VOLTS
Working Voltage

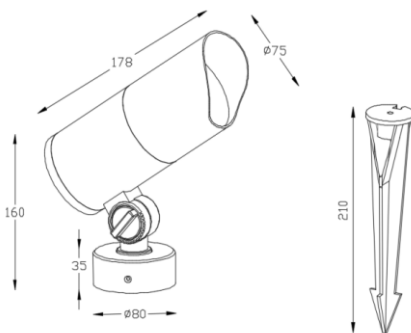
W 15W
Rated power

ELECTRICAL DATA

| | |
|-------------------|-----------------------------|
| POWER CONSUMPTION | 15W |
| SUPPLY VOLTAGE | 220-240 VAC INTEGRAL DRIVER |
| CRI | 80+ |
| LEDS | CREE COB |
| LUMENS | 1326lm @3000K |



DRAWING



ORDERING LOGIC

| PRODUCT | CONTROL | OPTIC | COLOR TEMPARTURE | VOLTAGE | MOUNTING | CONNECTION | FINISH | ACCESSORIES | CUSTOM |
|---------|--|--|---|-------------|---|---------------|--|-------------------------|----------|
| SML 15 | ND- Non Dimmable (Dimming options discuss with factory) | 13 - 13° 23 - 23° 38 - 38° 60 - 60° | (CT27) 2700K (CT30) 3000K (CTXX) Custom | 220-240 VAC | SP - Spike SM - Surface Mount TM - Tree Mount | PT - Pig Tail | GR - Grey BK - Black XX - Custom | HCL - Honey Comb Louver | XX - XXX |

Sample: SML 15 - ND - 13 - CT27 - 220-240 - SP - PT - GR - HCL - XX