

SML-115-PROJECTOR SERIES

SML-115 RGBW-AC



The SML-115 Projector series is an energy-efficient and weather-resistant outdoor lighting solution that provides bright and focused illumination for landscapes, gardens, plants, pathways, and other outdoor areas. With its long lifespan and low maintenance requirements, it's a cost-effective and eco-friendly option for enhancing the aesthetic appeal and safety of any outdoor space. Its energy-efficient LED technology ensures it consumes less power than traditional lighting options, making it ideal for eco-conscious customers.

FEATURES

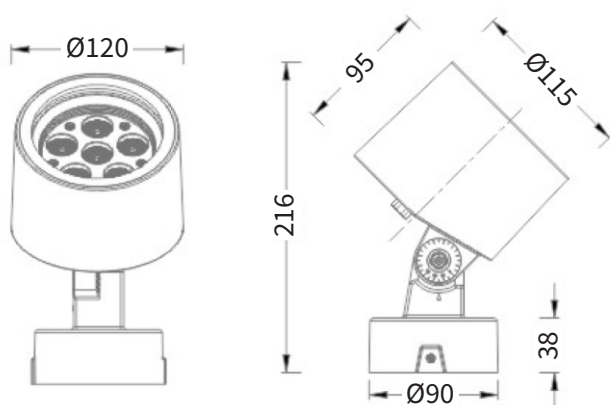
FINISH	Black, White
WORKING VOLTAGE	110-240V AC
RATED POWER	15W, 24W
RADIANCE ANGLE	25°, 40°, 60°
LAMP LIFE	50,000 hrs
MOUNTING	Spike, Surface, Tree Strap
CONNECTION	Outdoor rated connections
DIMENSIONS	Ø115 x 95 mm
OPERATION TEMP	-25° C - +50° C
BODY	Aluminum
CONTROL	DMX512



ELECTRICAL DATA

POWER CONSUMPTION	15W, 24W
SUPPLY VOLTAGE	110-240 V AC
COLORS	RGBW
LUMENS	30-40lm/W

DRAWING



ORDERING LOGIC

PRODUCT	WATTAGE	COLOR TEMPEARTURE	BEAM ANGLE	CONTROL	VOLTAGE	MOUNTING	FINISH	CUSTOM	
SML 115	15 - 15W 24 - 24W	(RGBW)	RGBW 25 40 60	25° 40° 60°	DM- DMX512	AC - 110-240V AC	SP - Spike SM - Surface Mount TM - Tree Mount	BK - Black WH - White XX - Custom	XX - XXX

Sample: SML 115 - 15 - RGBW - 25 - DM - AC - SP - BK - XX