

# TENTACLE LED SPOTLIGHT (FOR RECESSED COVE/SLOT MOUNT)

## TTL-RCM

Mono IP20 CE

YYZ Tentacle's Adjustable LED Spotlight is ideal for Linear Recessed Cove/Slot installations. It features a magnetically attached steel base plate for easy and secure mounting. The multi-directional rotation and adjustable capabilities provide flexibility in concealed light placement, while its discreet design allows it to be completely hidden inside the cove. Compatible with both single and double-sided linear coves/slots, custom fabricated on site by a false ceiling contractor, using either Gypsum or Metal and inside painted matte Black.



### FEATURES

HOUSING	Die-cast aluminium
FINISH	Black, White
RATED POWER	18W, 26W
WORKING CURRENT	500mA (18W), 700mA (26W)
BEAM ANGLE	17°, 24°, 35°
MOUNTING	Recessed
OPTIC	Lens
LAMP LIFE	50,000hrs
DIMENSIONS	Ø64 x 136 x 177mm
OPERATION TEMP	-20° C - +40° C
CONTROL	1-10V, Non-dimmable, DALI

CREE/CITIZEN  
LED Quality

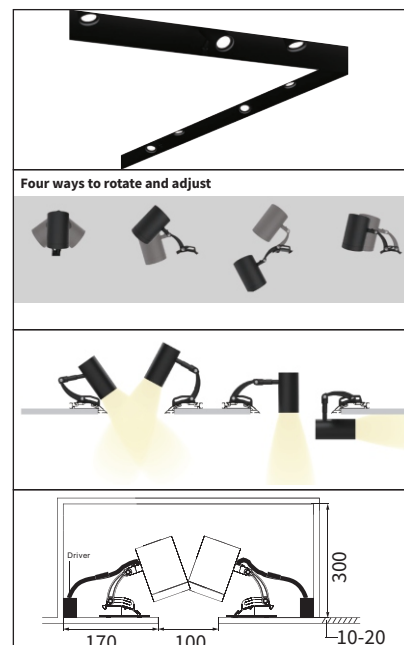
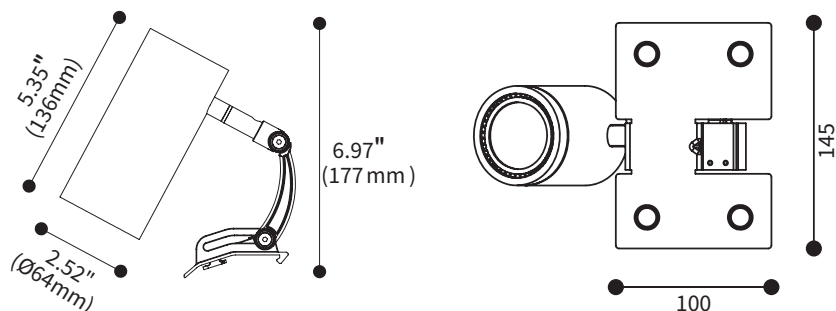
500mA/700mA  
Working Current

18W/26W  
Rated power

### ELECTRICAL DATA

POWER CONSUMPTION	18W, 26W
COLORS	3000K, 4000K
CRI	90+
LUMENS	18W (500mA)-1700 Lumens 26W (700mA)-2829 Lumens

### DIMENSION



### ORDERING LOGIC

PRODUCT	WATTAGE	COLOR TEMPERATURE	DRIVER	CURRENT	FINISH	BEAM ANGLE	ACCESSORIES
TTL-RCM	18 - 18W	(CT30)	3000K	ND - ON-OFF	50 - 500mA (18W)	WH - White	SG - Striped Glass
	26 - 26W	(CT40)	4000K	AN - 1-10V	70 - 700mA (26W)	BK - Black	HCL - Honeycomb louver
				DA - DALI			WG - Woven Glass
							LS - Long snoot
							NO - No Accessory

Sample: TTL-RCM - 18 - CT30 - ND - 50 - WH - 17 - SG