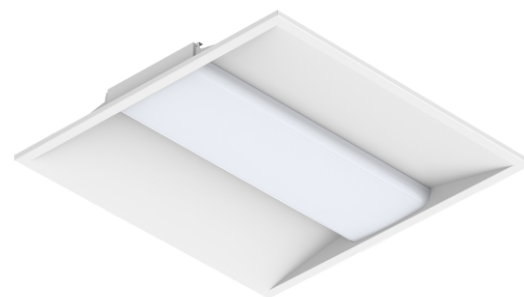


TROFFER C

TFR C

IP40

YYZ troffer C series features sheet steel body power coated in white. PMMA optics lens combined with special designed PC shade for more uniform light and achieving high quality low glare illumination of the space. Application areas include commercial spaces, educational premises etc.



FEATURES

MATERIAL	Sheet steel
FINISH	White
RATED POWER	30W
WORKING VOLTAGE	220-240V AC
RADIANCE ANGLE	130°
MOUNTING	Ceiling recessed
CONNECTION	Indoor rated connections
LAMP LIFE	L80 B50, 100, 000Hours
DIMENSION	595 x 595 x 54mm, 295 x 1195 x 54mm
OPERATING TEMP	-20° C - +50° C
CONTROL	On/Off, Triac, Dali, 0-10V

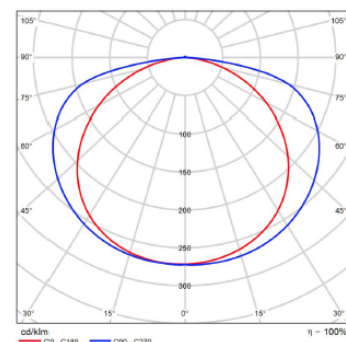
OSRAM / BRIDGELUX / TRIDONIC/CREE
LED Quality

220-240VAC
Working Voltage

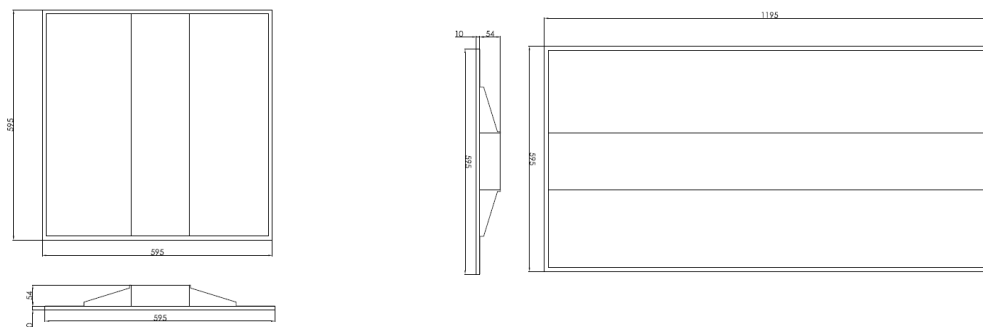
30W
Rated power

ELECTRICAL DATA

POWER CONSUMPTION	30W
SUPPLY VOLTAGE	220-240V AC
COLORS	3000K, 4000K, 5000K, 5700K
CRI	80
LUMENS	128lm/W
SDCM	3SDCM, 2SDCM (on request)



DIMENSIONS



ORDERING LOGIC

PRODUCT	WATTAGE	COLOR TEMPERATURE	INPUT VOLTAGE	FINISH	CONTROL	SIZE	CUSTOM	
TFR C	30 - 30W	(CT 30)	3000K	AC - 220-240VAC	WH - White	A - 595x595	XX - XXX	
		(CT 40)						4000K
		(CT 50)						5000K
		(CT 57)						5700K
				XX - Custom	TR - Triac	B - 295x1195		
					DA - Dali			
					AN - 0-10V			

Sample: TFR C - 30 - CT30 - AC - WH - SW - A - XX