

FRONTIER INGROUND LIGHT

FTR

Mono IP67/ IP68 IK10

YYZ Frontier inground lights feature robust construction with body in heavy duty die-cast aluminium and 304/316 marine grade stainless steel frame. High performance adjustable optics with UV resistant antiglare tempered glass lens diffuser render precise beam of light suited for wide range of facade and landscape applications.



FEATURES

MATERIAL	Die cast aluminum body with stainless steel frame
RATED POWER	18W
WORKING VOLTAGE	100-277V AC
BEAM ANGLE	9° / 12°/24°/45°/15°x30°
MOUNTING	Floor recessed
LAMP LIFE	L90, B10, 65, 000 hrs
DIMENSIONS	Ø218x135mm
OPERATION TEMP	-20° C - +50° C
CONTROL	Dali, On-Off, 1-10V
SDCM	SDCM3, SDCM2 (On request)
DRIVER OVER	4000kg@20km/hr

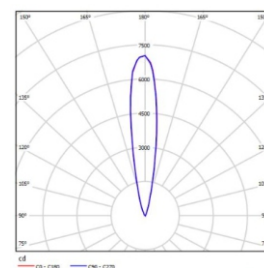
CREE/OSRAM/LUMILEDS/BRIDGELUX
LED Quality

100-277V AC
Working Voltage

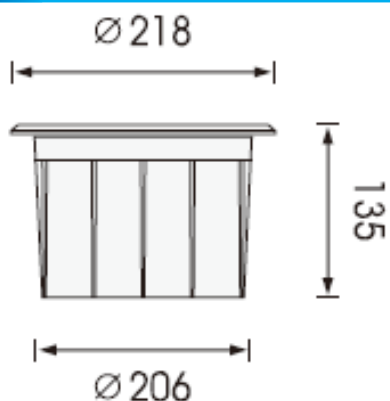
18W
Rated power

ELECTRICAL DATA

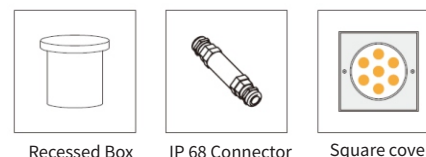
POWER CONSUMPTION	18W
SUPPLY VOLTAGE	100-277V AC
COLORS	2700K, 3000K, 4000K, 5000K
CRI	80+
LUMEN	90-95lm



DIMENSION



ACCESSORIES



ORDERING LOGIC

PRODUCT	WATTAGE	COLOR TEMPERATURE	VOLTAGE	BEAM ANGLE	IP RATE	FINISH	ACCESSORIES	CUSTOM
FTR	18 - 18W	(CT27) 2700K (CT30) 3000K (CT40) 4000K (CT50) 5000K	AC -100- 277V AC	9 - 9° 12 - 12° 24 - 24° 45 - 45° 15x30 - 15°x30°	67 - IP67 68 - IP68	SS - Stainless Steel	RB - Recessed Box CN - IP 68 Connector SC - Square cover	XX - XX

Sample: FTR - 9 - CT27 - AC - 12 - 67 - SS - RB - XX