

BADGE SERIES

BDG

Mono IP67 IK10

YYZ Badge series luminaires are Inground pathway lights with precision optical system to provide glare free dramatic lighting of pathways, pedestrian walkways, residential and commercial landscapes. Robust construction with main body in Die-cast Aluminium with top frame in options of Diecast aluminium or 316 marine grade stainless Steel makes it a drive over luminaire by pneumatic tyre loads until 4000Kg at a maximum speed of 20km/hr



FEATURES

FINISH	Powder coated black, Stainless steel
RATED POWER	1.2W, 2.4W, 4.8W
LIGHT PATTERN	Single, Double, 4-Sided
MOUNTING	Floor recessed
CONNECTION	Outdoor rated connections
LAMP LIFE	L90 B10 65, 000hrs
DIMENSION	Ø206x140mm
OPERATINGTEMP	-20° C - +50° C
CONTROL	Dali, 1-10V, On/Off
OPTICS	Lens

CREE, LUMILEDS, BRIDGELUX
LED Quality

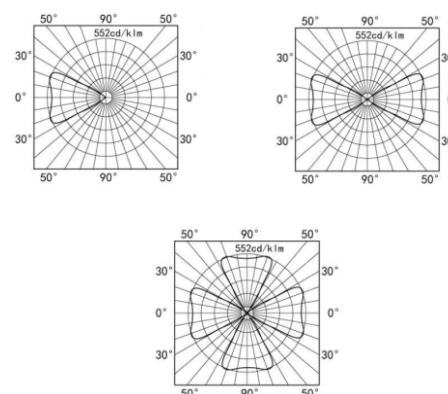
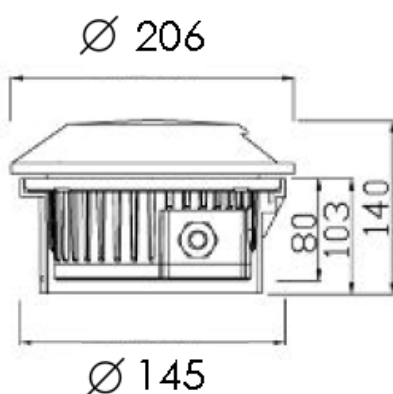
100-240V AC

1.2W/2.4W/4.8W
Rated power

ELECTRICAL DATA

POWER CONSUMPTION	1.2W, 2.4W, 4.8W
COLORS	2700K, 3000K, 4000K, 6500K
CRI	80+
LUMEN	60-75lm/W

DIMENSION



ORDERING LOGIC

PRODUCT	WATTAGE	COLOR TEMPERATURE	CONTROL	BEAM DIRECTION	TRIM FINISH
BDG	1.2 - 1.2W	(CT27) 2700K	ON - OFF	SS - Single	SS - Stainless steel
	2.4 - 2.4W	(CT30) 3000K	AN - 1-10V	DS - Double	AL - Aluminum
	4.8 - 4.8W	(CT40) 4000K	DA - DALI	4S - 4 Sided	
		(CT65) 6500K			

Sample: BDG - 4.8 - CT27 - AN - SS - AL

INSTALLATION MANUAL

