

EUPHORIA DOWNLIGHT-3101 SERIES

EHA-3101

Mono IP20 CE

YYZ Euphoria-3031 series is a type of ceiling recessed adjustable downlight in aluminum and adopts the best technique of heat conduction, equip with heat resisting optic parts. These recessed ceiling-mounted downlights with symmetrical light distribution to achieve an effective task or ambient lighting and can be applicable in areas like showrooms, chain stores, supermarkets, metro station, etc.

FEATURES

LED QUANTITY	1 Led
FINISH	White
WORKING CURRENT	500mA, 700mA, 900mA
RATED POWER	25W, 30W, 35W
RADIANCE ANGLE	15°, 24°, 36°, 55°
LAMP LIFE	50,000 hrs
MOUNTING	Ceiling recessed
CONNECTION	Indoor rated connections
DIMENSIONS	Ø140x146mm(Cutout Ø130mm)
OPERATION TEMP	-20° C - +50° C
CONTROL	Triac, 0-10V, Dali, Bluetooth



BRIDGELUX / LUMILEDS
LED Quality

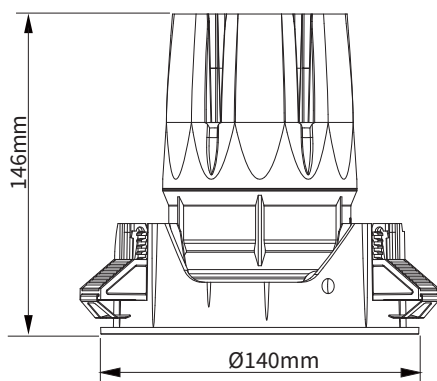
500/700/900mA
Working Current

25/30/35W
Rated power

ELECTRICAL DATA

POWER CONSUMPTION	25W, 30W, 35W
COLORS	2700K, 3000K, 3500K, 4000K
CRI	90
LUMEN	2175lm @ 25W, 2570lm @ 30W, 2930lm @ 35W

DIMENSIONS



ORDERING LOGIC

PRODUCT	WATTAGE	COLOR TEMPERATURE	CONTROL	CURRENT	BEAM ANGLE	FINISH	ACCESSORY	REFLECTOR
EHA-3101	25 - 25W	(CT27)	2700K	TR - Triac	500 - 500mA(25W)	15 - 15°	WH - White	HCL - Honey Comb louver
	30 - 30W	(CT30)	3000K	AN - 0-10V	700 - 700mA(30W)	24 - 24°		
	35 - 35W	(CT35)	3500K	DA - Dali	900 - 900mA(35W)	36 - 36°		
		(CT40)	4000K	BL - Bluetooth		55 - 55°		
								MS - Mat Silver PB - Pearl Black GO - Sand Gold BC - Black Chrome WH - White

Sample: EHA-3101 -25 -CT27 - TR - 500 - 15 - WH - HCL - MS