

CHARLOTTE-6

CTT 6



YYZ Charlotte is an impressive, highly efficient lighting concept for urban living environments. The versatility of this product family enables individual design solutions to create functional and atmospheric lighting.



FEATURES

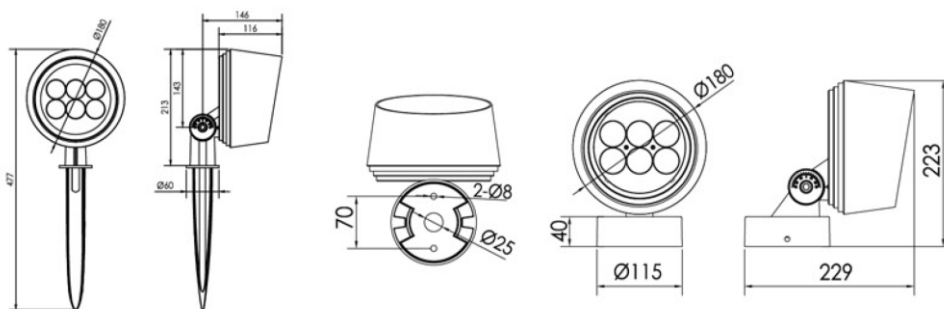
MATERIAL	Die-casting aluminum
TRIM FINISH	White, Black
RATED POWER	36W
WORKING VOLTAGE	24V dc, 100-264V ac, 50-60Hz
BEAM ANGLE	5°, 8°, 12.5°, 30°, 15°x60°
MOUNTING	Surface mounted, Pole mounted
LAMP LIFE	50,000 hrs
DIMENSIONS	Ø180 x 116mm
OPERATION TEMP	-25° C - +50° C
CONTROL	On/Off, Dali, 0-10V

- CREE LED Quality
- 24V DC, 264V AC Working Voltage
- 36W Rated power

ELECTRICAL DATA

POWER CONSUMPTION	36W
SUPPLY VOLTAGE	24V dc, 100-264V ac
COLORS	RGB

DIMENSIONS



ORDERING LOGIC

PRODUCT	WATTAGE	COLOR TEMPERATURE	CONTROL	VOLTAGE	BEAM ANGLE	FINISH	CUSTOM
CTT 6	22 - 22W	(RGB) RGB	DM DMX512	DC - 24V DC	5° - 5°	BK - Black WH - White	XX - XX
				AC - 305V AC	8° - 8°		
					12.5° - 12.5°		
					30° - 30°		
					15x60° - 15°x60°		

Sample: CTT 6 - 22 - RGB - DM - AC - 5 - BK - XX