

CHARLOTTE-3

CTT 3

Mono IP66 CE

YYZ Charlotte is an impressive, highly efficient lighting concept for urban living environments. The versatility of this product family enables individual design solutions to create functional and atmospheric lighting.



FEATURES

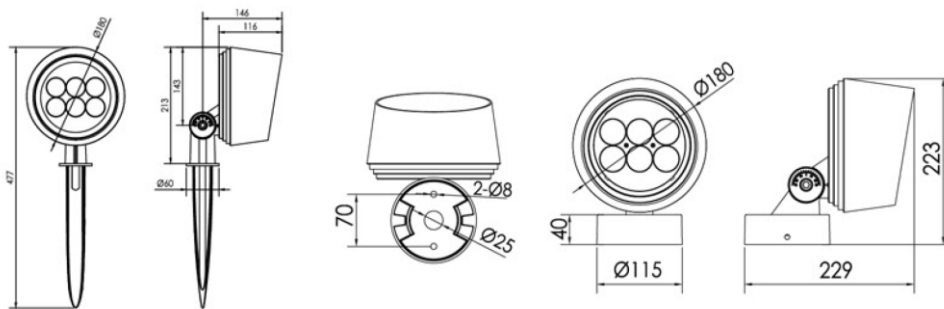
MATERIAL	Die-casting aluminum
TRIM FINISH	White, Black
RATED POWER	22W
WORKING VOLTAGE	100-264V ac, 50-60Hz
BEAM ANGLE	2.6°, 3.5°, 6°, 12°, 20°, 30°, 45°, 60°, 10°x70°, 5°x20°
MOUNTING	Surface mounted, Pole mounted
LAMP LIFE	50,000 hrs
DIMENSIONS	Ø180 x 116mm
OPERATION TEMP	-25° C - +50° C
CONTROL	On/Off, Dali, 0-10V

- CREE LED Quality
- 264V AC Working Voltage
- 22W Rated power

ELECTRICAL DATA

POWER CONSUMPTION	22W
SUPPLY VOLTAGE	100-264V ac
COLORS	2700K, 3000K, 4000K, 5000K, 5700K

DIMENSIONS



ORDERING LOGIC

PRODUCT	WATTAGE	COLOR TEMPERATURE	CONTROL	VOLTAGE	BEAM ANGLE	FINISH	CUSTOM	
CTT 3	22 - 22W	(CT27)	2700K	ND - Non Dimmable	AC - 264V AC	2.6° - 2.6°	BK - Black	XX - XX
		(CT30)	3000K	DA - Dali		3.5° - 3.5°	WH - White	
		(CT40)	4000K	AN - 0-10V		6° - 6°		
		(CT50)	5000K			12° - 12°		
		(CT57)	5700K			20° - 20°		
						30° - 30°		
						45° - 45°		
						60° - 60°		
						10x70° - 10°x70°		
						5x20° - 5°x20°		

Sample:CTT 3 - 22 - CT27 - ND - AC - 2.6 - BK -XX