

MARKER MINI 38

MKR-MI 38

Mono IP67 CE

Sturdy and sleek inground fitting made of 316 grade stainless steel designed to withstand high salinity environment . Available in specially engineered 3 different optical distribution to ensure utmost design flexibility and minimum glare.



FEATURES

MATERIAL	Stainless steel 316 grade
FINISH	Stainless steel
RATED POWER	1W
RADIANCE ANGLE	12°, 15°, 25°
MOUNTING	Floor recessed
CONNECTION	Outdoor rated connections
LAMP LIFE	50,000 Hrs
DIMENSION	Ø38x65mm
OPERATING TEMP	-20° C - +50° C
CONTROL	Switched, 1-10V, Dali, Triac (Driver based)
OPTICS	Lens
SDCM	2

CREE / OSRAM
LED Quality

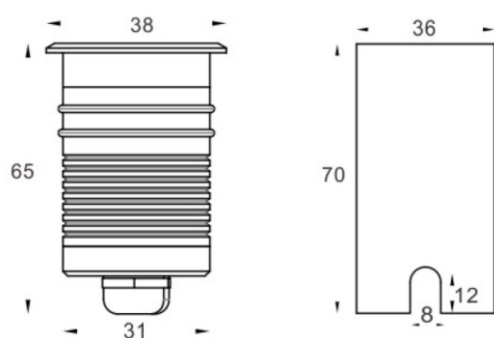
CONSTANT VOLTAGE

1W
Rated power

ELECTRICAL DATA

POWER CONSUMPTION	1W
COLORS	2700K, 3000K, 4000K, 5000K, 5700K
CRI	>90

DIMENSION



ORDERING LOGIC

PRODUCT	WATTAGE	COLOR TEMPERATURE	CONTROL	BEAM ANGLE	FINISH	CUSTOM
MKR-MI 38	1 - 1W	(CT27)	2700K	SW - Switched	12 - 12°	SS - Stainless steel xx
		(CT30)	3000K	AN - 1-10V	15 - 15°	
		(CT40)	4000K	DA - Dali	25 - 25°	
		(CT50)	5000K	TR - Triac		
		(CT57)	5700K			

Sample: MKR-MI 38 - 1 - CT27 - SW - 12 - SS - XX