

MYSTIC SERIES

MTC



YYZ Mystic series is a type of miniature fixture made in cast aluminum which is ideal for façade and landscape applications, where size of the fixture installed plays a critical role. These luminaires are designed to offer functional, a wide range of lighting solutions and dramatic highlighting of the architectural facades, landscapes, trees through the superior finishing as well highest efficiency with a long service life. This product provide uniform, soft enhancing special lighting effect that blends into the space being lit, to maximizes light beauty.



FEATURES

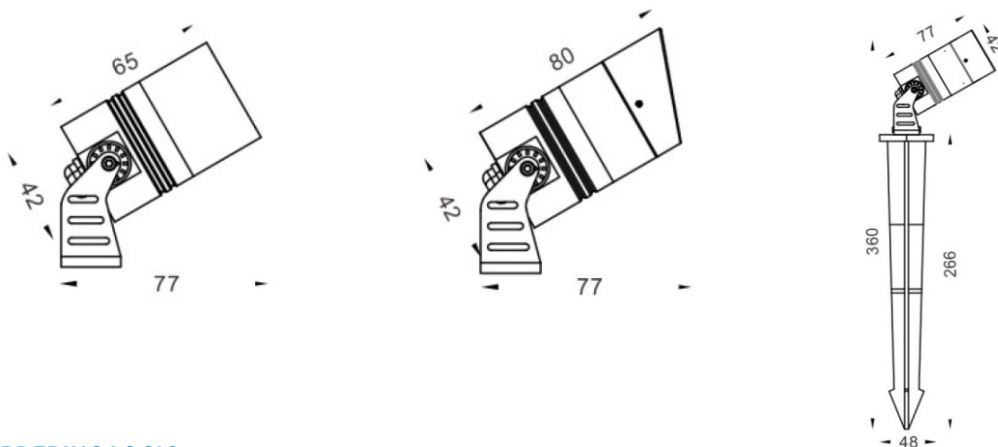
MATERIAL	Aluminum
FINISH	Matt silver / Black anodized
RATED POWER	3W
WORKING VOLTAGE	24V dc
LED QUANTITY	1
BEAM ANGLE	25°/40°/60°
MOUNTING	Ground / Spike
CONNECTION	Outdoor rated connections
LAMP LIFE	50,000 hrs
CABLE	0.5 Mtr H05RN-F2x1.0mm ²
DIMENSIONS	Ø42 x 65 mm
OPERATION TEMP	-20° C - +50° C

- TYANSHINE**
LED Quality
- 24V DC**
Working Voltage
- 3W**
Rated power

ELECTRICAL DATA

POWER CONSUMPTION	3W
SUPPLY VOLTAGE	24V dc
COLORS	RGBW
CRI	90
CONTROL	DMX512

DRAWING



ORDERING LOGIC

PRODUCT	WATTAGE	OPTIC	COLOR TEMPERATURE	VOLTAGE	MOUNTING	FINISH	ACCESSORIES	CUSTOM
MTC	3 - 3W	25 - 25° 40 - 40° 60 - 60°	(RGBW) RGBW	DC - 24V DC	SP - Spike SM - Surface Mount	SL - Silver BK - Black XX - Custom	CYH - Cylindrical Hood 45° CH - Cylindrical Hood SP - Spike	XX - XXX

Sample: MTC - 3 - 25 - RGBW - DC - SP - SL - CYH - XX