

# MYSTIC SERIES

## MTC



YYZ Mystic series is a type of miniature fixture made in cast aluminum which is ideal for façade and landscape applications, where size of the fixture installed plays a critical role. These luminaires are designed to offer functional, a wide range of lighting solutions and dramatic highlighting of the architectural facades, landscapes, trees through the superior finishing as well highest efficiency with a long service life. This product provide uniform, soft enhancing special lighting effect that blends into the space being lit, to maximizes light beauty.



### FEATURES

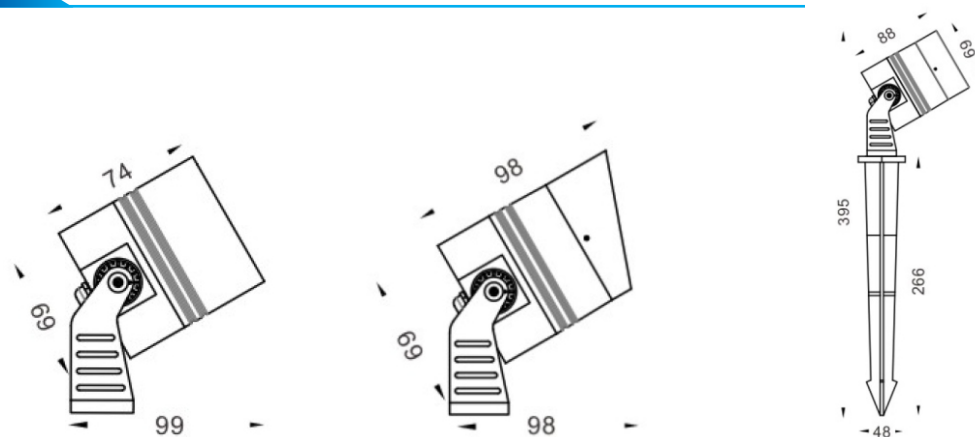
MATERIAL	Aluminum
FINISH	Matt silver / Black anodized
RATED POWER	8W/10W
WORKING VOLTAGE	220V ac
LED QUANTITY	1
BEAM ANGLE	15°/24°/36°/60°
MOUNTING	Ground / Spike
CONNECTION	Outdoor rated connections
LAMP LIFE	50,000 hrs
CABLE	0.5 Mtr H05RN-F2x1.0mm <sup>2</sup>
DIMENSIONS	Ø69 x 74 mm
OPERATION TEMP	-20° C - +50° C

- CREE, OSRAM  
LED Quality
- 220V AC  
Working Voltage
- 8W/10W  
Rated power

### ELECTRICAL DATA

POWER CONSUMPTION	8W/10W
SUPPLY VOLTAGE	220V ac
COLORS	3000K, 4000K, 5000K/5700K
CRI	90
CONTROL	Triac, 0-10V, Dali

### DRAWING



### ORDERING LOGIC

PRODUCT	WATTAGE	OPTIC	COLOR TEMPERATURE	VOLTAGE	MOUNTING	FINISH	ACCESSORIES	CUSTOM
MTC	8 - 8W 10 - 10W	15 - 15°	(CT30)	3000K	AC - 220V AC	SL - Silver BK - Black XX - Custom	CYH - Cylindrical Hood 45° CH - Cylindrical Hood SP - Spike	XX - XXX
		24 - 24°	(CT40)	4000K				
		36 - 36°	(CT50)	5000K				
		60 - 60°	(CT57)	5700K				

Sample: MTC - 8 - 15 - CT30 - AC - SP - SL - CYH - XX