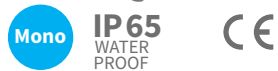


LINEAR HANDRAIL LIGHT-SMALL SQUARE

LHL-SQ



YYZ LED Linear handrail serve the purpose of lighting up the staircase treads as well as give an aesthetic effect to the surroundings. It is made in stainless steel and aluminum which can be installed on an existing handrail system as well as indoor or outdoor. These are waterproof IP65 rated fixture which is available in different colors ranging from 2700-6000K.

FEATURES

FINISH	Silver, Black
WORKING VOLTAGE	24V DC
RATED POWER	4W
BEAM ANGLE	10° x 100°
LAMP LIFE	50000 hrs
MOUNTING	Handrail
CONNECTION	Outdoor rated connections
DIMENSIONS	30(W) x 30(H) x 110(L)mm(Cutout 102x28mm)
OPERATION TEMP	-40° C - +50° C
CONTROL	On/Off, DMX tunable white, DMX



PHILIPS / CREE
LED Quality

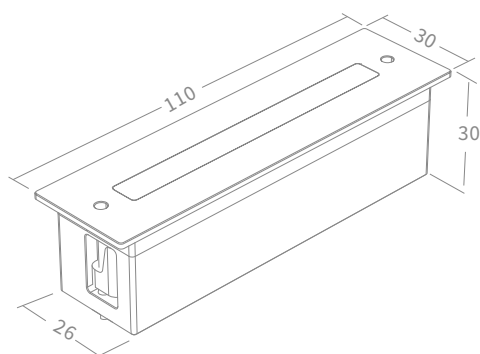
24V DC
Working Voltage

4W
Rated power

ELECTRICAL DATA

POWER CONSUMPTION	4W
SUPPLY VOLTAGE	24V DC
CRI	80+
COLORS	Tunable white, 2700/3000/4000/6500K

DRAWING



ORDERING LOGIC

PRODUCT	WATTAGE	COLOR TEMPERATURE	VOLTAGE	CONTROL	OPTIC	FINISH	CUSTOM
LHL-SQ	4 - 4W	(CT 27) - 2700K (CT 30) - 3000K (CT 40) - 4000K (CT 65) - 6500K (CT TW) - Tunable White	24 - 24V DC	ND - Non Dimmable DM - DMX	10x100 - 10°x100°	SL - Silver BK - Black	XX - XXX

Sample: LHL-SQ - 4 - CT27 - 24 - ND - 110 - SL - XX