

LEX SPOT

LX-SP

Mono IP20/40

YYZ Lex Spot is a type of recessed downlight made in ADC 12 aluminum alloy whose compact design delivers excellent glare free visual comfort, energy efficiency, easy installation, and good architectural integration. It helps to deliver symmetrical light distribution to achieve an effective task or ambient lighting.



FEATURES

MATERIAL	ADC 12 aluminum alloy
FINISH	White, Black
RATED POWER	10W/15W
WORKING CURRENT	220-240V AC
RADIANCE ANGLE	15°, 25°, 38°, 60°
MOUNTING	Ceiling recessed
CONNECTION	Indoor rated connections
LAMP LIFE	50,000 Hrs
DIMENSION	93x96, 93x101mm (Cutout 85mm)
OPERATING TEMP	-20° C - +50° C
CONTROL	On/Off

BRIDGELUX COB
LED Quality

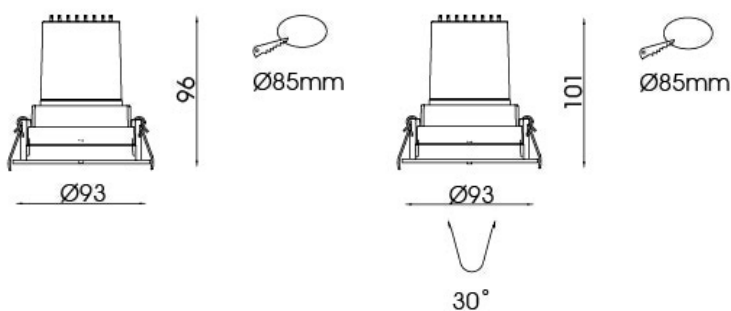
220-240V AC (50/60 Hz)
Working Current

10/15W
Rated power

ELECTRICAL DATA

POWER CONSUMPTION	10/15W
COLORS	2700K, 3000K, 4000K, 5000K
CRI	90
LUMEN	85lm/W

DIMENSIONS



ORDERING LOGIC

PRODUCT	WATTAGE	COLOR TEMPERATURE	BEAM ANGLE	FINISH	CUSTOM	
LX - SP	10 - 10W	(CT27)	2700K	15 - 15°	WH - White	xx
	15 - 15W	(CT30)	3000K	25 - 25°	BK - Black	
		(CT40)	4000K	38 - 38°		
		(CT40)	5000K	60 - 60°		

Sample: LX-SP - 10W - CT27 - 15 - WH - XX