

APERTURE -1WW

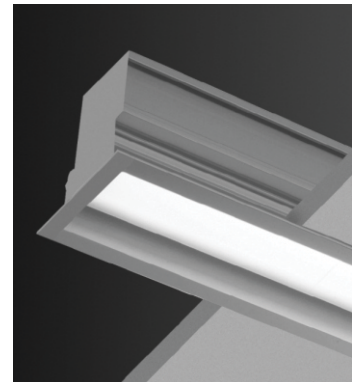
APR1 WW T

Mono IP20 **CE** 20/30W

YYZ Aperture wall washer is a small recessed slot light used for wall washing. The housing of luminaire is made from 100% recyclable, extruded architectural grade T6061 aluminum and can be installed both horizontally & vertically to form continuous or individual rows. The fixture is available with several LED lamping options including multiple outputs and CCTs, tunable white and colour changing RGB+White.

FEATURES

HOUSING	100% Recyclable, extruded architectural grade t6061 aluminium
BEAM ANGLE	120°
MOUNTING	Recessed
OPTIC	Opal frosted, Prismatic lens (Low UGR)
OPERATION TEMP	-20° C - +50° C
LAMP LIFE	50,000 hrs
AVAILABLE LENGTH	600mm, 1200mm, 1800mm (Can be joined end-to-end)
LUMEN	62 lm/W@4000K (20W/m), 59 lm/W@4000K (30W/m)
CONTROL	On/Off, Dali, 0-10V, Dmx

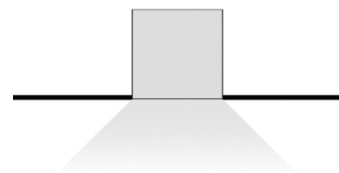
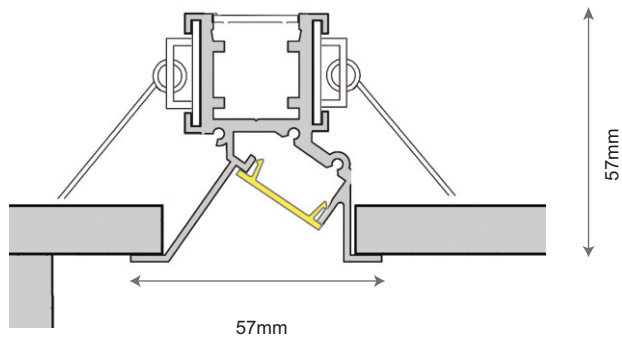


CREE/SAMSUNG
LED Quality

V 240V AC
Working Voltage

W 20, 30W/mtr
Rated power

DIMENSION



ORDERING LOGIC

PRODUCT	WATTAGE	CRI	COLOR TEMPERATURE	DRIVER	VOLTAGE	FIXTURE LENGTH	FINISH
APR1 WW T	20 - 20W/Mtr	80	(CT24) 2400K	ND - NON DIMMABLE	24-24V DC	6 - 650mm	AL - Aluminium natural
	30 - 30W/Mtr	90	(CT27) 2700K	DA - DALI		12 - 1200mm	BK - Black powder coat
			(CT30) 3000K	AN - 1-10V, 0-10V		18 - 1800mm	WH - White powder coat
			(CT40) 4000K	DX - DMX		XX - CUSTOM	BR - Bronze
			(CT55) 5500K				XX - Custom
			RGBW	RGBW			

Sample: APR1 WW T - 20 - 80 - CT27 - ND - 24 - 6 - AL