

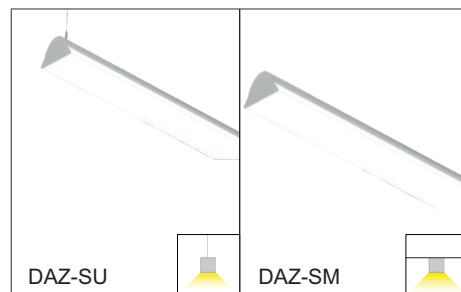
## DAZ-SU /DAZ-SM

**IP20** **CE**  
NON-WATER  
PROOF

YYZ Dazzle is suspended luminaire made from 100% recyclable, extruded architectural grade T6061 aluminum with minimum 2mm thickness. The fixture is available with several LED lamping options including multiple outputs and CCTs, tunable white and colour changing RGB+White.

### FRAME

- DAZ-SU : For suspension mounting
- DAZ-SM : For surface mounting



### SIZE

Length Individual fixtures or joined sections to form a continuous run.

### LAMPING & LENS

OUTPUT	CRI	CCT	LENS
LOW	80	2700K	DIFF Diffuse (std.)
MED	90	3000K	
UGR19 <sup>#</sup>		3500K	
TUNE/LOW*		4000K	
TUNE/MED*		5000K	
RGBW <sup>U</sup>		6500K	



#UGR19 is a low glare, UGR<19 optics package with low output and prismatic lens.

\*For TUNE/LOW and TUNE/MED, CRI and CCT do not apply.

^For RGBW, CRI does not apply and select 3000K or 4000K CCT only. White LEDs can remain uncommissioned for RGB-only output.

### DRIVER

- NONDIM - Non-dimmable
- DALI - DALI driver, dimming down to 1%
- 1/10V - 1-10V, dimming down to 1%
- 0/10V - 0-10V, dimming down to 0%
- DMX - DMX driver, dimming down to 1%
- PHASE - For use with phase-cut triac, IGBT or sine wave dimmer switches

### FINISH

- AL - Anodised aluminium (standard)
- WH - White powder coat
- BLK - Black powder coat
- BZ - Metallic bronze powder coat
- RAL/ - Custom RAL color powder coat (ex : #RAL/3000)

## DAZ-SU /DAZ-SM

### POWERFEED COLOUR

- GP - Grey (Standard for suspended, default for other mountings)
- WP - White
- BP - Black
- TP - Transparent
- XP - Custom color (contact YYZ Lighting for options)

### CANOPY

- NONE - Select NONE when specifying wall or surface mount
- STD - 115mm canopy for each separate powerfeed and suspension point (standard)
- SMALL - 82mm canopy for each separate powerfeed and suspension point
- COMBO - 115mm combo canopy for locations with both a powerfeed and suspension point

### OPTIONAL ADD-ONS

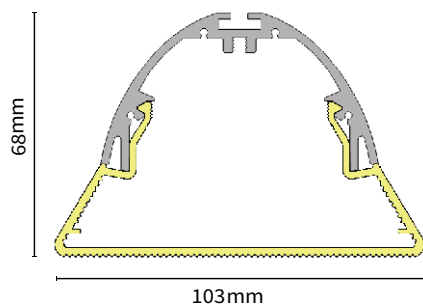
#### EMERGENCY

- EM - Integral, 3-hour emergency battery, manual testing

#### SENSOR

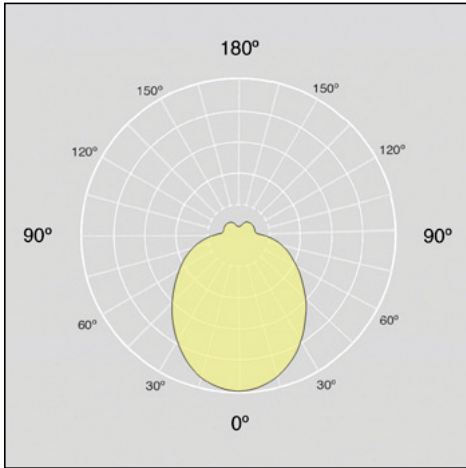
- PRES - Integral, PIR presence detector
- DALI/PRES - Integral, DALI-compatible PIR presence detector
- PHOTO - Integral, photocell/daylight detector

### DIMENSIONS



DAZ-SU /DAZ-SM

DISTRIBUTION



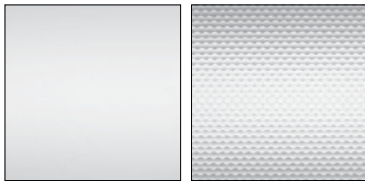
LINEAR LAMPING - OPTIONS & PERFORMANCE DATA

OUTPUT OPTIONS	DELIVERED LUMENS LM/M	WATTS W/M	EFFICACY LM/W	CRI OPTIONS	CCT OPTIONS	LENS OPTIONS
LOW <sup>#</sup>	1423	13.4	106	80 90	2700K 3000K 3500K 4000K 5000K 6500K	DIFF
MED <sup>#</sup>	3200	25	128		Prismatic	
UGR19 <sup>#</sup>	1629	13.4	122			
TUNE/LOW <sup>#^</sup>	Tunable White Standard 1476 (at 4000K)	14	105	80	2700K-6500K	DIFF
TUNE/MED <sup>#^</sup>	Tunable White High 2091 (at 4000K)	22	95	80	2700K-6500K	
RGBW	Colour-Changing RGB+White N/A (entire system) 387 (white only)	19.2 (entire system) 9 (white only)	N/A (entire system) 42 (white only)	N/A (entire system) 80 (white only)	3000K 4000K	

## DAZ-SU /DAZ-SM

### LENS OPTIONS

DIFF is a white satin diffuser lens that produces smooth, even light across the lens surface. UGR19 low-glare lamping comes with a prismatic lens and diffusing LED optic by default to achieve a UGR<19 rating.

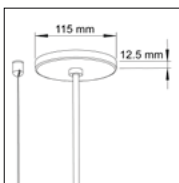


Difuse  
DIFF

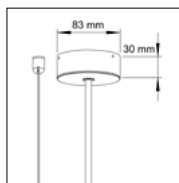
Prismatic  
UGR19 only

### SUSPENSION MOUNTING CANOPY OPTIONS

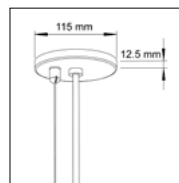
Standard (STD) comprises separate 115 mm powerfeed canopy and cable bullet at powerfeed locations. SMALLc comprises separate 85 mm powerfeed canopy and cable bullet at powerfeed locations. COMBO comprises combined 115mm canopy (canopy and cable bullet) at powerfeed locations. All options include cable bullets for non-powerfeed locations.



Standard  
STD



Small  
SMALL



Combo  
COMBO

### INTEGRAL SENSORS

Optional, presence (PRES), DALI- compatible PIR presence (DALI/PRES) and daylight harvesting (PHOTO) sensors available.

