

LOCUS ADJUSTABLE DOWN LIGHT

LCSA 165

Mono IP20 CE

YYZ Locus series is a range of downlights designed for applications requiring accent and general lighting. It provides the perfect combination of efficiency, light comfort, and design, without compromising on lighting performance. It offers a wide choice of options for creating the desired ambience, no matter the application is.

FEATURES

| | |
|-----------------|----------------------------------|
| MATERIAL | Aluminum |
| FINISH | White, Black |
| RATED POWER | 32/42W |
| WORKING VOLTAGE | 220-240V 50/60Hz |
| RADIANCE ANGLE | Narrow, Medium, Wide, Ultra wide |
| MOUNTING | Ceiling recessed |
| CONNECTION | Indoor rated connections |
| LAMP LIFE | 50,000 Hrs |
| DIMENSION | Ø165 x 158mm (Cutout Ø155mm) |
| OPERATING TEMP | -20° C - +50° C |
| CONTROL | On/Off, Triac, 1-10V, Dali |

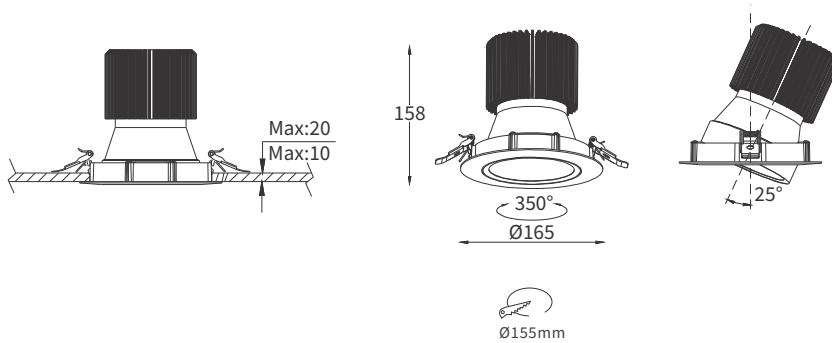


- 1 LED
LED Quality
- 240 VOLTS
Working Voltage
- 32/42W
Rated power

ELECTRICAL DATA

| | |
|-------------------|----------------------------|
| POWER CONSUMPTION | 32/42W |
| SUPPLY VOLTAGE | 220-240V AC |
| COLORS | 2700K, 3000K, 3500K, 4000K |
| CRI | 90+ |
| LUMEN | 90 lm/W |

DIMENSIONS



Linear Spread Lens

Spread Lens

ORDERING LOGIC

| PRODUCT | WATTAGE | COLOR TEMPERATURE | VOLTAGE | BEAM ANGLE | FINISH | ACCESSORIES | CUSTOM |
|----------|----------|-------------------|---------|----------------|------------|--------------------------|--------|
| LCSA 165 | 32 - 32W | (CT27) | 2700K | N - Narrow | BL - Black | LSL - Linear Spread Lens | xx |
| | 42 - 42W | (CT30) | 3000K | M - Medium | WH - White | SL - Spread Lens | |
| | | (CT35) | 3500K | W - Wide | | | |
| | | (CT40) | 4000K | U - Ultra Wide | | | |

Sample: LCSA 165 - 32 - CT 27 - 240 - N - BL - LSL - XX