

TINY SPOT LIGHT

TNY 2701

Mono IP20 CE

YYZ Tiny spot lights are miniature downlights in die-cast aluminum housing which are designed for wet area applications like jacuzzi, toilets, balcony, exterior entrance that demands water proof construction and resistance to corrosion. These recessed ceiling-mounted downlights with symmetrical light distribution to achieve an effective task or ambient lighting.



FEATURES

MATERIAL	Die-cast aluminum
FINISH	White, Black
RATED POWER	18W
WORKING CURRENT	500mA
RADIANCE ANGLE	15°, 24°, 36°, 55°
MOUNTING	Ceiling recessed mounted
CONNECTION	Indoor rated connections
LAMP LIFE	50,000 Hrs
DIMENSION	Ø80 x 117mm(Cutout Ø73mm)
OPERATING TEMP	-20° C - +50° C
CONTROL	On/Off

CREE
LED Quality

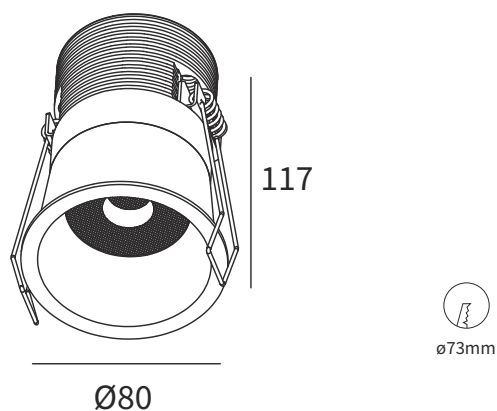
500mA
Working Current

18W
Rated power

ELECTRICAL DATA

POWER CONSUMPTION	18W
SUPPLY VOLTAGE	230V AC
COLORS	2700K, 3000K, 4000K
CRI	≥92
LUMEN	1620lm

DIMENSIONS



ORDERING LOGIC

PRODUCT	WATTAGE	COLOR TEMPERATURE	BEAM ANGLE	FINISH	CUSTOM	
TNY 2701	18 - 18W	(CT27)	2700K	15 - 15°	WH - White	xx
		(CT30)	3000K	24 - 24°	BK - Black	
		(CT40)	4000K	36 - 36°		
				55 - 55°		

Sample: TNY 2701 - 18- CT27 - 24 - WH - XX

