

VERTEX MONO DMX TUBE

Mono **IP67** WATER PROOF **CE** **7.5W/MTR & 12.5W/MTR**

YYZ VERTEX Mono DMX TUBE is high brightness and easy installation for architecture outdoor solution. Available in different lengths. Vertex customization options includes LED color (Warm white, cool white or any other mono color), and a choice of direct view (Clear type) and diffused-view (Milky type). IP67-rated , UV-resistant and designed to with stand outdoor elements, render it a reliable solution for both indoor and outdoor environments.

Vertex Mono DMX TUBE is designed for delineation of the architectural feature.



FEATURES

LIGHT SOURCE	5050 LED
LED QUANTITY	60 LEDS / MTR (72 LED/4 FT)
FINISH	ALUMINUM , CLEAR / MILKY DIFFUSER
WORKING VOLTAGE	24 VOLTS
RATED CURRENT	375 mA / MTR & 520mA /MTR
RATED POWER	9W / 4FT & 15W / 4FT
RADIANCE ANGLE	180°
LAMP LIFE	30,000 HRS
MOUNTING	MOUNTING CLIP / CHANNEL
CONNECTION	OUTDOOR RATED CONNECTIONS
CUTTING INCREMENTS	300mm
DIMENSIONS	52(H) x 28(W)mm- ROUND, 52.3(H)x27.4(W)mm-FLAT, 50(H)x28(W)mm-RECESSED
MAX DAISY RUN	8 MTR MAX DAISY CHAIN (REF WIRING DETAILS)
OPERATION TEMP	-20° C - +50° C
STORAGE TEMP	-40° C - +90° C
WEIGHT	0.67 KG/MTR
LIGHT INTENSITY	144 CD/MTR
CONTROL	DALI/0-10V/DMX(Check with Factory for mor info)

CREE
LED Quality

24 VOLTS
Working Voltage

7.5W/mtr, 12.5W/mtr
Rated power

ELECTRICAL DATA

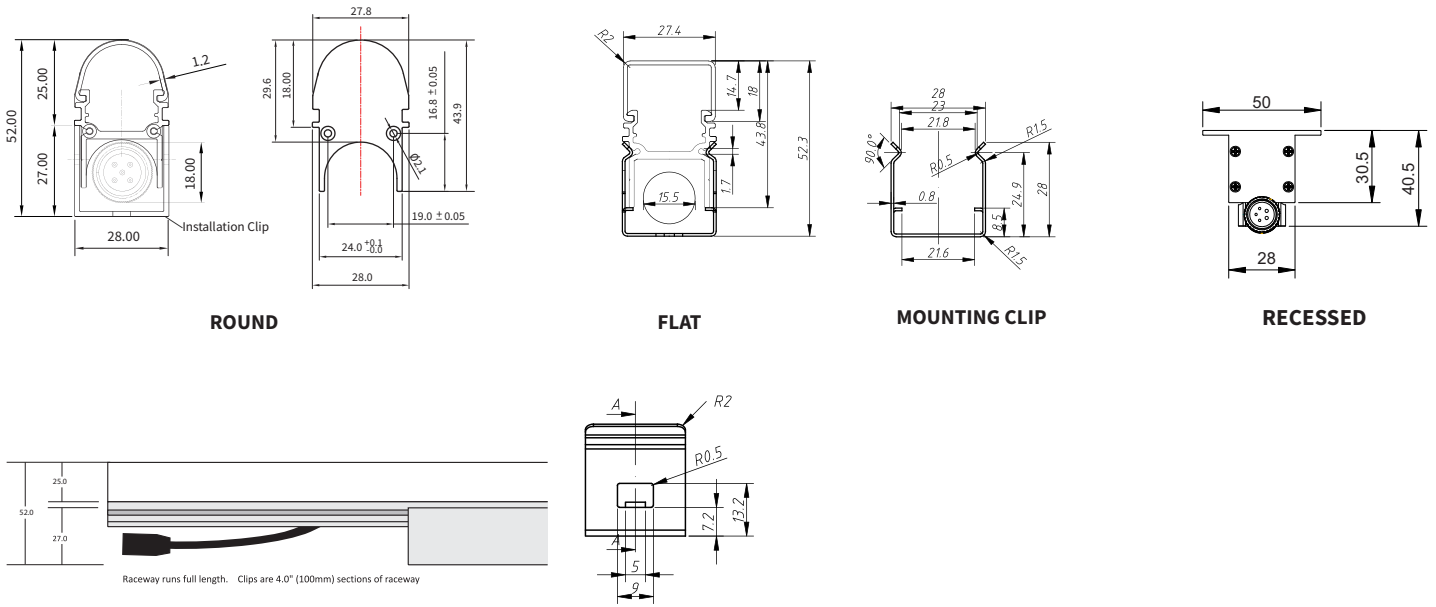
POWER CONSUMPTION	9W/4FT & 15W/4FT
SUPPLY VOLTAGE	24 VOLTS
SUPPLY CURRENT	375 mA / MTR & 520mA /MTR
COLORS	2300K, 2700K, 3000K, 4000K, 5000K, BLUE, GREEN, RED
CRI	80+
LEDS / 3.3FT	60

ORDERING LOGIC

PRODUCT SERIES	CONTROL	PIXEL	COLOR	VOLTAGE	FIXTURE LENGTH	MOUNTING	CUSTOM
VTX - RO (Round)	DMX(ADDRESSABLE)	10 - (100mm)	CT23 - 2300K	24 (24 Vdc)	1 - 1 FT (300mm)	CLP - Clip	xx
VTX - FL (Flat)		30 - (300mm)	CT27 - 2700K		4 - 4FT (1200mm)	CHL - Chanel	
VTX - RE (Recessed)			CT30 - 3000K				
			CT40 - 4000K				
			CT50 - 5000K				
			BL - Blue				
			GR - Green				
		RE - Red					

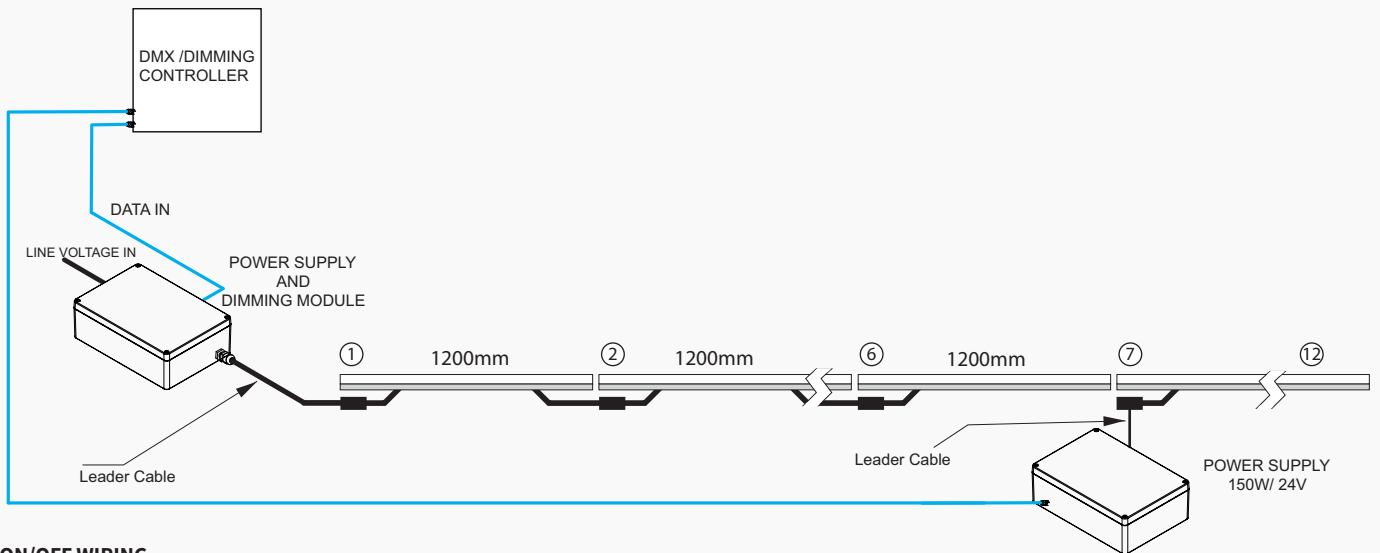
Sample: VTX-RO-DMX-10-CT23-24-4-CLP-XX

DRAWING



WIRING DETAILS

CONTROL WIRING



ON/OFF WIRING

