

Mono IP65 CE

YYZ Topaz is a surface mounted wall luminaire developed to brighten the night using the high performance of the LED light source. The outdoor lighting fixture is designed with a stepped cone shape with the round aluminium body and a crystal glass for a more modern look. Frosted and white crystal glass is optional for the user's preferences. The lights coming out through the crystal patterned glass create a beautiful light pattern.



FEATURES

HOUSING	DIE-CAST ALUMINUM
WORKING VOLTAGE	220-240V AC 50-60Hz
MOUNTING	WALL MOUNTED
DIFFUSER	FROSTED CRYSTAL GLASS, WHITE CRYSTAL GLASS
DIMENSIONS	Ø261x83mm
OPERATION TEMP	-30° C - +50° C
BODY COLOR	DARK GREY
LAMP LIFE	50,000 HRS
CONTROL	ON/OFF

LUMILEDS
LED Quality

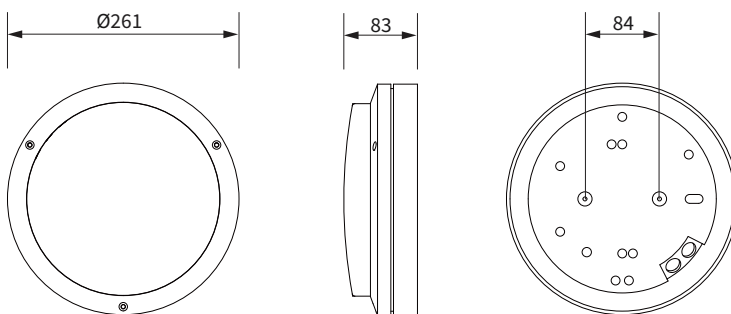
220-240V AC
Working Voltage

18W
Rated power

ELECTRICAL DATA

RATED POWER	18W
COLORS	3000K, 4000K
CRI	80
LUMEN OUTPUT	1782 lm(FROSTED GLASS), 1099 lm(WHITE GLASS)

DIMENSION



ORDERING LOGIC

PRODUCT	WATTAGE	COLOR TEMPERATURE	DIFFUSER	CONTROL	FINISH
TPZ	18 - 18W	(CT30) 3000K (CT40) 4000K (CTXX) Custom	FG - Frosted Glass WG - White Glass	ND - Non Dimmable	DG - Dark Grey

Sample: TPZ - 18 - CT30 - FG - ND - DG