

SML-15-TREE MOUNT

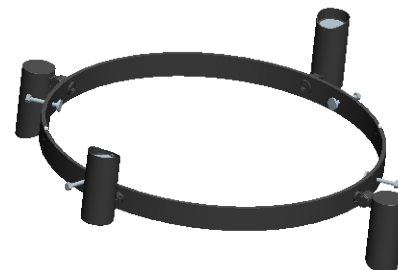
SML-15



YYZ TREE MOUNTED LIGHT Mono is high brightness and easy installation for Landscape solution. Available in different wattage. IP65, UV-resistant.

FEATURES

NO OF HEAD	4/6
FINISH	BLACK /GREY/BRONZE
WORKING VOLTAGE	220-240 VAC
RATED POWER	4x15W / 6x15W
RADIANCE ANGLE	13°/23°/38°
LAMP LIFE	50000 HRS
MOUNTING	TREE MOUNTED BRACKET
CONNECTION	OUTDOOR RATED CONNECTIONS
DIMENSIONS	Ø800 x 60 x 10 + Ø75 x 178 mm
OPERATION TEMP	-20° C - +50° C
STORAGE TEMP	-20° C - +60° C
CABLE	H05RN 1 Mtr PIG TAIL
BODY	ALUMINUM 6063

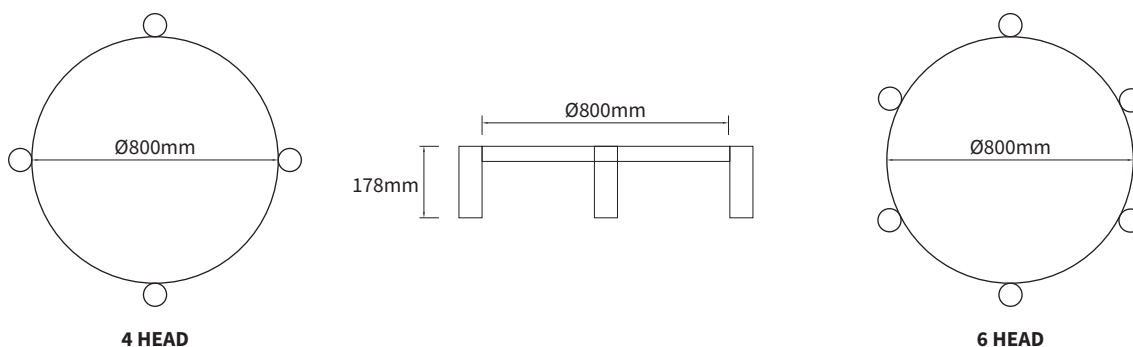


- CREE LED Quality
- 220-240 VOLTS Working Voltage
- 4x15W / 6x15W Rated power

ELECTRICAL DATA

POWER CONSUMPTION	4x15W / 6x15W
SUPPLY VOLTAGE	220-240 VAC INTEGRAL DRIVER
CRI	80+
LEDS	CREE COB
LUMENS	620lm / HEAD

DRAWING



ORDERING LOGIC

PRODUCT	WATTAGE	COLOR TEMPARTURE	OPTIC	VOLTAGE	FINISH	CONNECTION	CUSTOM
SML 15	60 - 4x15W(4Head)	(CT27)	2700K	13 - 13°	220-240 VAC	BK - Black GR - Grey BR - Bronze	PT - Pig Tail
	90 - 6x15W(6Head)	(CT30)	3000K	23 - 23°			
		(CTXX)	Custom	38 - 38°			
							XX - XXX

Sample: SML 15 - 60 - CT27 - 13 - 220-240 - BK - PT - XX