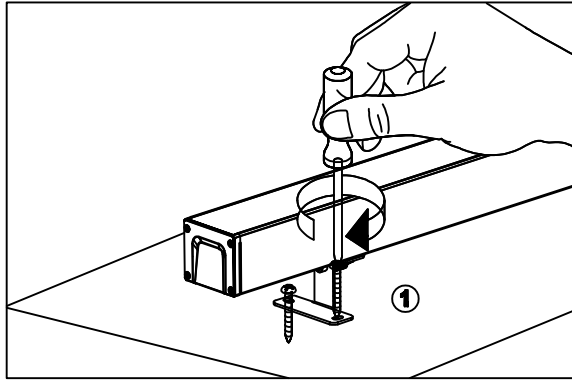


LINEAR WALLWASHER INSTALLATION

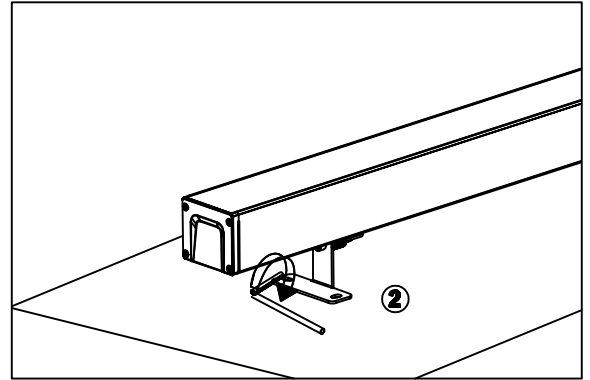
RWW38-Mono



INSTALLATION



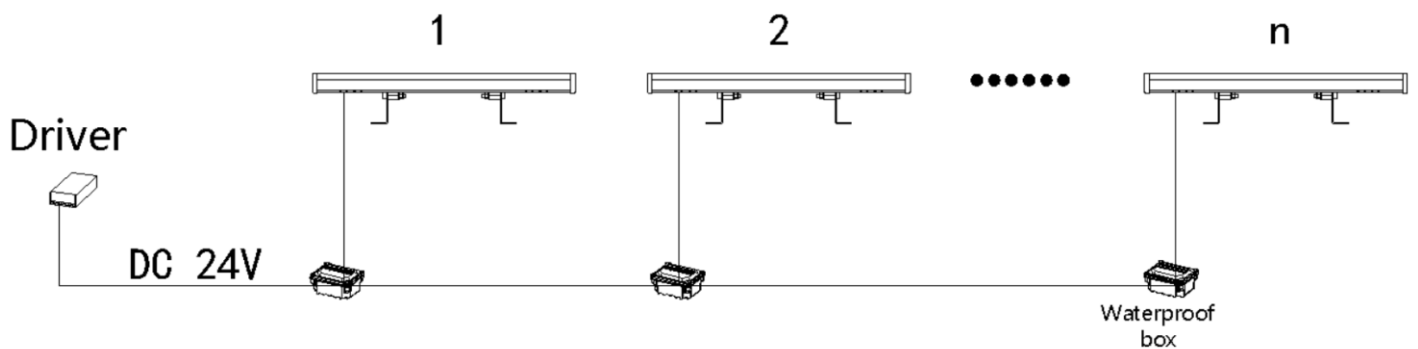
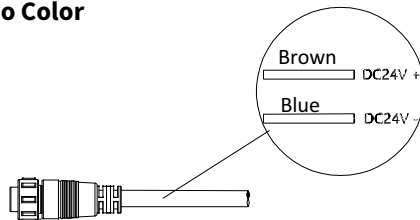
1. Fix the fixture with screws on the surface of the mounted object, make sure the fixing position.



2. Rotate the fixture body to a suitable projection angle.

WIRING DIAGRAM

24VDC - Mono Color

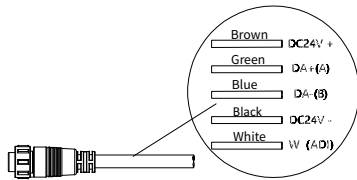


LINEAR WALLWASHER INSTALLATION

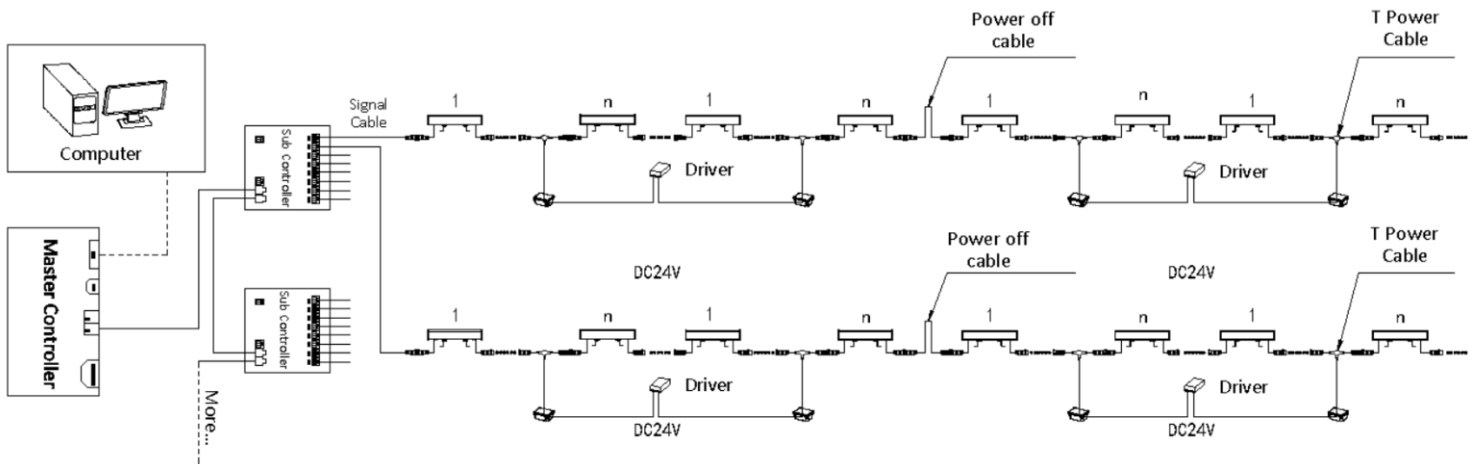
RWW38-Mono



24VDC - RGB & RGBW



5C Data & Power Cable



⚠ WARNING	⚠ CAUTION
<ul style="list-style-type: none"> ⤴ Disconnect or turn off power before installation, maintenance or service. ⤴ Allow lamp/fixture to cool before handling. ⤴ Do not touch enclosure or light source. ⤴ Verify that supply voltage is correct by comparing it with the luminaire label information. 	<ul style="list-style-type: none"> ⤴ Keep combustible and other materials that can burn, away from lamp/lens. ⤴ Do not operate in close proximity to persons, combustible materials or substances affected by heat or drying. ⤴ Wear gloves and safety glasses at all times when removing luminaire from carton, installing, servicing or performing maintenance. ⤴ Avoid direct eye exposure to the light source when it is on.

TIP: Failure to follow any of these instructions would void product warranties.